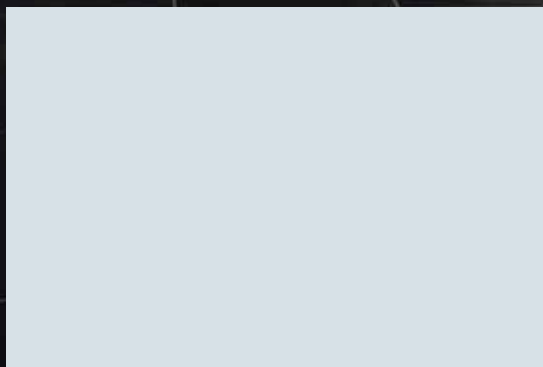


OVENS | HOBBS | HOODS | MICROWAVES | REFRIGERATION | DISHWASHERS | LAUNDRY



OCTOBER 2007



PERFEKT IN FORM UND FUNKTION

**AEG**

 **Electrolux**

# AEG

## double ovens

## built-in



reddot design award  
winner 2004



Design  
Award  
Winner  
2004

With a range of Single, Double and Double Undercounter ovens in a variety of colours, AEG offers an array of truly unique technology from a Multifunction Oven with Fully Integrated Steam Functions to a Double Oven with Menu Guided Digital Cooking.



### Competence D57014

#### MAIN OVEN FUNCTIONS

VENTITHERM® PRECISION  
FAN CONTROLLED DEFROSTING  
ROTITHERM ROASTING  
CONVENTIONAL COOKING  
SPEEDCOOK  
PIZZA SETTING  
FULL WIDTH VARIABLE GRILL  
ENERGY RATING **A**

#### TOP OVEN FUNCTIONS

CONVENTIONAL COOKING  
DUAL VARIABLE FAST GRILL  
SINGLE VARIABLE FAST GRILL  
ENERGY RATING **A**

#### CLEANING FEATURES

HEAT ACTIVATED CATALYTIC CLEANING

#### SAFETY FEATURES

AUTO SAFETY SWITCH OFF & CHILD SAFETY LOCK TO MAIN OVEN

Digital Multifunction  
Double Oven with 7 Main & 3 Top Oven Functions.  
Stainless Steel: €1265. EMC €5. Total: €1270.



### Competence D88004M

#### MAIN OVEN FUNCTIONS

VENTITHERM® PRECISION  
FAN CONTROLLED DEFROSTING  
ROTITHERM ROASTING  
CONVENTIONAL COOKING  
PIZZA SETTING  
SPEEDCOOK  
FULL WIDTH VARIABLE GRILL  
ECONOMY GRILL  
HOT AIR BAKING  
BASE HEAT FINISHING AND REHEATING  
KEEP WARM  
ENERGY RATING **A**

#### TOP OVEN FUNCTIONS

CONVENTIONAL COOKING  
DUAL CIRCUIT VARIABLE GRILL  
SPEEDCOOK  
BASE HEAT FINISHING  
KEEP WARM  
ENERGY RATING **B**

#### CLEANING FEATURES

HEAT ACTIVATED CATALYTIC CLEANING

#### SAFETY FEATURES

ISOFRONT® DOUBLE GLAZED DOORS

VENTITHERM® Precision Digital Multifunction Double Oven with interactive digital cooking display with 11 Main & 6 Top Oven Functions. Stainless Steel: €1295. Aluminium: €1355. EMC €5. Total: Stainless Steel: €1300. Aluminium: €1360.



### Competence U71014

#### MAIN OVEN FUNCTIONS

VENTITHERM®  
FAN CONTROLLED DEFROSTING  
ROTITHERM ROASTING  
CONVENTIONAL COOKING  
SPEEDCOOK  
PIZZA SETTING  
DUAL CIRCUIT VARIABLE GRILL  
ECONOMY GRILL  
ENERGY RATING **B**

#### TOP OVEN FUNCTIONS

FAN ASSISTED COOKING  
CONVENTIONAL COOKING  
ROTITHERM ROASTING  
DUAL CIRCUIT GRILL  
ECONOMY GRILL  
TOP HEAT BROWNING  
ENERGY RATING **A**

#### CLEANING FEATURES

HEAT ACTIVATED CATALYTIC CLEANING

VENTITHERM® Multifunction  
Double Under-counter Oven  
with 8 Main & 7 Top Oven  
Functions.  
Stainless Steel: €1035.  
EMC €5. Total: €1040.



### Competence D21004M

#### MAIN OVEN FUNCTIONS

VENTITHERM® PRECISION  
FAN CONTROLLED DEFROSTING  
ENERGY RATING **A**

#### TOP OVEN FUNCTIONS

ECONOMY GRILL  
CONVENTIONAL COOKING  
DUAL CIRCUIT VARIABLE GRILL  
ENERGY RATING **B**

#### CLEANING FEATURES

DIAMOND GLAZED ENAMEL INTERIOR

VENTITHERM® Double Oven  
with 2 Main & 3 Top Oven  
Functions.

Stainless Steel: €929. Black: €910.  
EMC €5. Total: Stainless Steel: €934. Black: €915.

# built-in

# single ovens

# AEG



**Competence B98204m**

**OVEN FUNCTIONS**

- VIGOROUS STEAM
- INTERVAL PLUS
- INTERVAL STEAM
- PROFI HOT AIR
- AL GSTO HOT AIR
- CONVENTIONAL COOKING
- ROTITHERM ROASTING
- DUAL GRILL
- SINGLE GRILL
- KEEP WARM
- FAN CONTROLLED DEFROST

**SAFETY FEATURES**

- ISOFRONT® PLUS TRIPLE GLAZED DOOR
  - AUTO SAFETY SWITCH OFF & CHILD SAFETY LOCK
- ENERGY RATING** A

World's only Multifunction Single Oven with Fully Integrated Steam Functions.  
 Stainless Steel: €1365.  
 Aluminium: €1475.  
 EMC €5. Total: Stainless Steel: €1370. Aluminium: €1480.



**Competence B81394**

90cm Multifunction Single Oven with 11 Functions. Stainless Steel: €2760. EMC €5. Total: €2765.

**OVEN FUNCTIONS**

- VENTITHERM®
- DUAL CIRCUIT VARIABLE GRILL - FOLD DOWN
- FAN CONTROLLED DEFROSTING
- ROTITHERM ROASTING
- CONVENTIONAL COOKING
- ECONOMY GRILL
- PIZZA SETTING
- SPEEDCOOK
- BASE HEAT FINISHING
- TOP HEAT BROWNING
- TEMPERATURE PROBE

**CLEANING FEATURES**

- DIAMOND-GLAZED ENAMEL INTERIOR
- FULL GLASS INNER DOOR WITH PANORAMIC VIEWING WINDOW

**SAFETY FEATURES**

- TRIPLE GLAZED DOOR
- ENERGY RATING** B



**Competence B88714**

**OVEN FUNCTIONS**

- LIGHT PYROLUXE® CLEANING
- INTENSIVE PYROLUXE® CLEANING
- VENTITHERM® PRECISION
- DUAL CIRCUIT VARIABLE GRILL
- FAN CONTROLLED DEFROSTING
- ROTITHERM ROASTING
- CONVENTIONAL COOKING
- PIZZA SETTING
- SPEEDCOOK
- ECONOMY GRILL
- HOT AIR FAN BAKING
- TEMPERATURE PROBE
- KEEP WARM

**CLEANING FEATURES**

- DIAMOND GLAZED ENAMEL INTERIOR FOR PYROLUXE® CLEANING

**SAFETY FEATURES**

- ISOFRONT® PLUS QUADRUPLE GLAZED DOOR
  - AUTO SAFETY SWITCH OFF & CHILD SAFETY LOCK
- ENERGY RATING** A

VENTITHERM® Precision Digital Multifunction Oven with PYROLUXE® Total Auto Cleaning System and Interactive Digital Cooling Display.  
 Stainless Steel: €975.  
 Aluminium: €995. EMC €5.  
 Total: Stainless Steel: €980.  
 Aluminium: €1000.



**Competence B57414**

**OVEN FUNCTIONS**

- LIGHT PYROLUXE® CLEANING
- INTENSIVE PYROLUXE® CLEANING
- VENTITHERM® PRECISION
- DUAL CIRCUIT VARIABLE GRILL
- FAN CONTROLLED DEFROSTING
- ROTITHERM ROASTING
- CONVENTIONAL COOKING
- PIZZA SETTING
- SPEEDCOOK

**CLEANING FEATURES**

- DIAMOND GLAZED ENAMEL INTERIOR FOR PYROLUXE® CLEANING

**SAFETY FEATURES**

- ISOFRONT® PLUS QUADRUPLE GLAZED DOOR
  - AUTO SAFETY SWITCH OFF & CHILD SAFETY LOCK
- ENERGY RATING** A

VENTITHERM® Precision Digital Multifunction Oven with PYROLUXE® Total Auto Cleaning System.  
 Stainless Steel: €945.  
 Black: €915. EMC €5.  
 Total: Stainless Steel: €950.  
 Black: €920.



**Competence B890924M**

**OVEN FUNCTIONS**

- VENTITHERM®
- DUAL CIRCUIT VARIABLE GRILL
- FAN CONTROLLED DEFROSTING
- ROTITHERM ROASTING
- CONVENTIONAL COOKING

**CLEANING FEATURES**

- DIAMOND GLAZED ENAMEL INTERIOR
  - FULL GLASS INNER DOOR WITH PANORAMIC VIEWING WINDOW
  - HEAT ACTIVATED CATALYTIC CLEANING
- ENERGY RATING** A

VENTITHERM® Ventitherm Digital Multifunction Oven with Reversible Side Opening Door, Touch Control and interactive Digital Cooking Display.  
 Stainless Steel: €999. EMC €5. Total: €1004.



**Competence B21004**

**OVEN FUNCTIONS**

- VENTITHERM®
- DUAL CIRCUIT VARIABLE GRILL - FOLD DOWN
- FAN CONTROLLED DEFROSTING
- ROTITHERM ROASTING

**CLEANING FEATURES**

- DIAMOND GLAZED ENAMEL INTERIOR
- ENERGY RATING** A

Single VENTITHERM® Oven with 4 Functions.  
 Stainless Steel: €595 Black: €515. EMC €5.  
 Total: Stainless Steel: €600 Black: €520.



AEG's special burner design produces a clean and perfect flame - for total cooking flexibility and precise results.

Gas Hob Performance burners in different sizes: rapid, semi-rapid, simmer.



90cm Gas on Glass Hob with LED Display  
Black: €695

### Competence 99852G

#### HOB FEATURES

- 3 CAST IRON PAN SUPPORTS
- REMOVABLE WOK SUPPORT
- LED DISPLAY
- SAFETY GAS CUT OFF USING THERMOCOUPLES
- AUTOMATIC INTEGRATED IGNITION
- FRONT CONTROLS

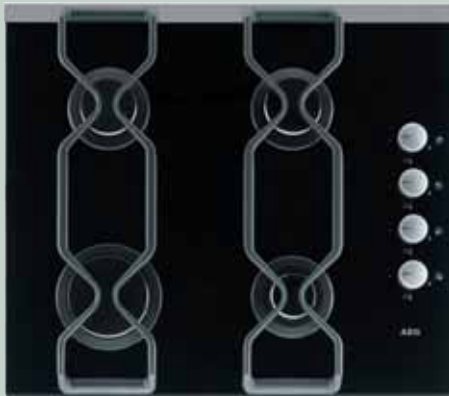


70cm Gas on Glass Hob with LED Display  
€620

### Competence 79852G

#### HOB FEATURES

- 3 CAST IRON PAN SUPPORTS
- REMOVABLE WOK SUPPORT
- LED DISPLAY
- SAFETY GAS CUT OFF USING THERMOCOUPLES
- AUTOMATIC INTEGRATED IGNITION
- FRONT CONTROLS



60cm Gas on Glass Hob with LED Display Black: €510

### Competence 69802G

#### HOB FEATURES

- 2 CAST IRON PAN SUPPORTS
- LED DISPLAY
- SAFETY GAS CUT OFF USING THERMOCOUPLES
- AUTOMATIC INTEGRATED IGNITION
- SIDE CONTROLS



### Competence 95852G

#### HOB FEATURES

90cm Gas Hob with 3 Cast Iron Pan Supports and Wok Burner  
Stainless Steel: €669

- 6 BURNERS
- 1 RAPID 3KW BURNER
- 2 SEMI RAPID 2KW BURNERS
- 2 SIMMER 1 KW BURNER
- 1 TRIPLE CROWN 4 KW BURNER
- LPG BOTTLE GAS CONVERSION KIT INCLUDED



### Competence 75852G

75cm Gas Hob with 3 Cast Iron Pan Supports and Wok Burner  
Stainless Steel: €495

#### HOB FEATURES

- 5 BURNERS
- 1 RAPID 3KW BURNER
- 1 SEMI RAPID 2KW BURNERS
- 2 SIMMER 1 KW BURNER
- 1 TRIPLE CROWN 4 KW BURNER
- LPG BOTTLE GAS CONVERSION KIT INCLUDED



### Competence 65852G

#### HOB FEATURES

- 5 BURNERS
- 1 RAPID 3KW BURNER
- 1 SEMI RAPID 2KW BURNERS
- 1 SIMMER 1 KW BURNER
- LPG BOTTLE GAS CONVERSION KIT INCLUDED

60cm Gas Hob with 2 Cast Iron Pan Supports  
Stainless Steel: €255

built-in

hobs (ceramic)

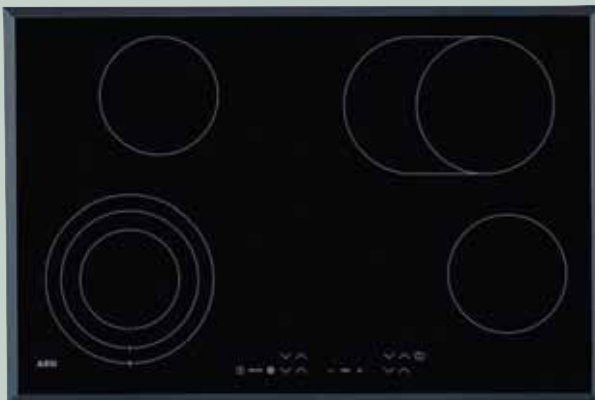
AEG



**Competence**  
C96901KFN

- HOB FEATURES**
- TOUCH CONTROLS
  - STOP+GO WITH KEEP WARM SETTING
  - 15 STAGE DIGITAL POWER LEVEL DISPLAYS
  - PROGRAMMABLE TIMER PER ZONE
  - CHILD SAFETY LOCK
  - AUTO SAFETY SWITCH OFF
  - RESIDUAL HEAT INDICATORS
  - HOB PERFORMANCE 5 ZONES

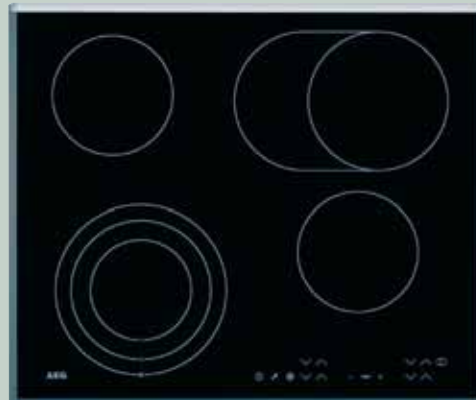
90cm, 5 Zone incl Triple and MultiPurpose Zone, Electronic Touch Control, Bevelled Edge €1199. EMC €2. Total: €1201.



**Competence**  
76301KFN

77cm Ceramic Hob with multi-purpose and HIGHLIGHT zones. Bevelled Edge. Black: €985. EMC €2. Total: €987.

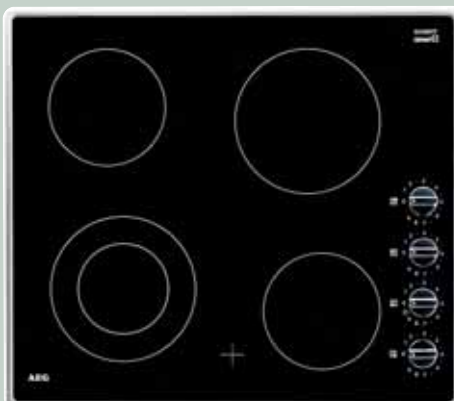
- HOB FEATURES**
- TOUCH CONTROLS
  - AUTOMATIC BOOSTER
  - STOP+GO WITH KEEP WARM SETTING
  - 15 STAGE DIGITAL POWER LEVEL DISPLAYS
  - PROGRAMMABLE TIMER PER ZONE
  - CHILD SAFETY LOCK
  - AUTO SAFETY SWITCH OFF
  - RESIDUAL HEAT INDICATORS



**Competence 66300KFN**

60cm Ceramic Hob with multi-purpose and HIGHLIGHT zones. Bevelled Edge & Alutec® Trim. Black: €765. EMC €2. Total: €767.

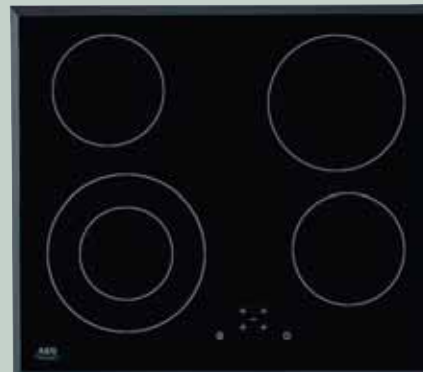
- HOB FEATURES**
- TOUCH CONTROLS
  - AUTOMATIC BOOSTER
  - STOP+GO WITH KEEP WARM SETTING
  - 15 STAGE DIGITAL POWER DISPLAYS
  - PROGRAMMABLE TIMER PER ZONE
  - CHILD SAFETY LOCK
  - AUTO SAFETY SWITCH OFF
  - RESIDUAL HEAT INDICATORS



**Competence**  
6010KMN

- HOB FEATURES**
- ROTARY SIDE CONTROLS
  - 10 STAGE VARIABLE POWER LEVEL
  - RESIDUAL HEAT INDICATORS
  - 4 ZONES:
  - 3 SINGLE HIGHLIGHT ZONES IN 2 SIZES
  - 1 DUAL HIGHLIGHT ZONE

60cm Ceramic Hob with side controls. Black + Stainless Steel Frame: €395. EMC €2. Total: €397.



**Competence C6401KFN**

Ceramic Touch Control Hob €689. EMC €2. Total: €691.

- HOB FEATURES**
- TOUCH CONTROLS
  - 9 STAGE DIGITAL POWER DISPLAYS
  - CHILD SAFETY LOCK
  - AUTO SAFETY SWITCH OFF
  - RESIDUAL HET INDICATORS
  - HOB PERFORMANCE 4 ZONES

# AEG

## induction hobs

## built-in

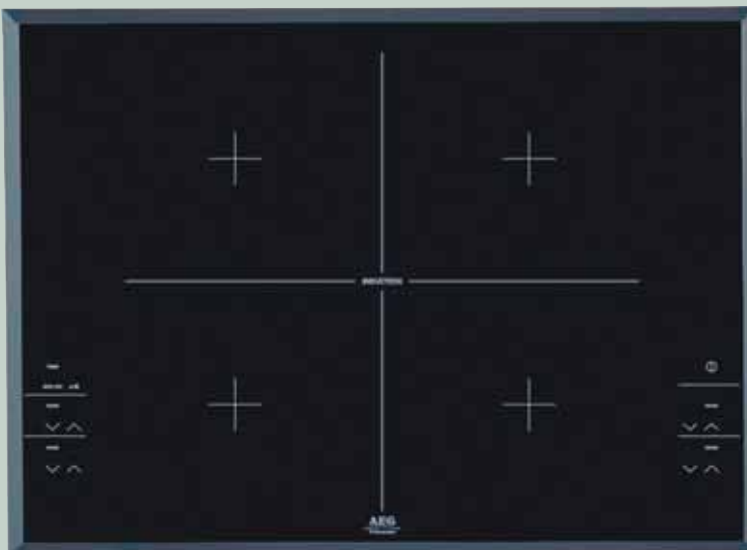


### Competence 98001KFSN

88cm 3 section Maxi - sense induction hob with "Zone - Free" Cooking.  
Black: €1339.  
EMC €2. Total: €1341.

#### HOB FEATURES

- TOUCH CONTROLS
- AUTOMATIC BOOSTER
- STOP & GO WITH KEEP WARM SETTING
- 15 STAGE DIGITAL POWER LEVEL DISPLAYS
- PROGRAMMABLE TIMER PER SECTION: UP TO 99 MINUTES
- CHILD SAFETY LOCK
- CONTROL LOCK
- AUTO SAFETY SWITCH OFF
- RESIDUAL HEAT INDICATORS

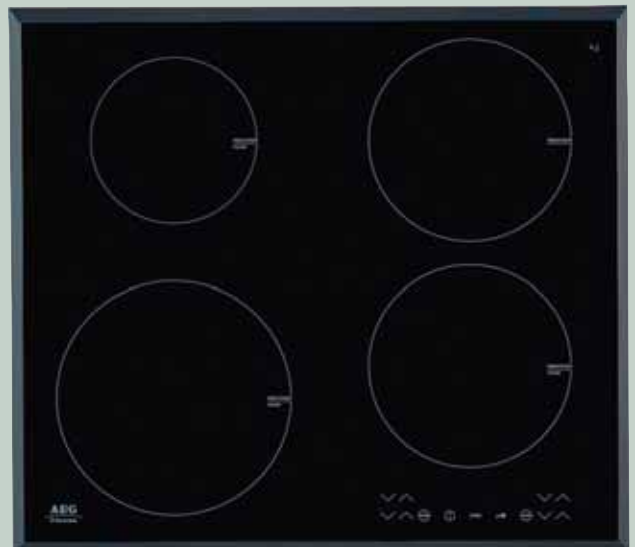


### Competence 78001KFN

#### HOB FEATURES

- TOUCH CONTROLS
- AUTOMATIC BOOSTER
- STOP & GO WITH KEEP WARM SETTING
- 15 STAGE DIGITAL POWER LEVEL DISPLAYS
- PROGRAMMABLE TIMER PER SECTION: UP TO 99 MINUTES
- CHILD SAFETY LOCK
- CONTROL LOCK
- AUTO SAFETY SWITCH OFF
- RESIDUAL HEAT INDICATORS

71cm 4 Section MaxiSense Induction Hob with "Zone Free" Cooking.  
Black: €1178.  
EMC €2. Total: €1180.



### Competence 68002KFN

#### HOB FEATURES

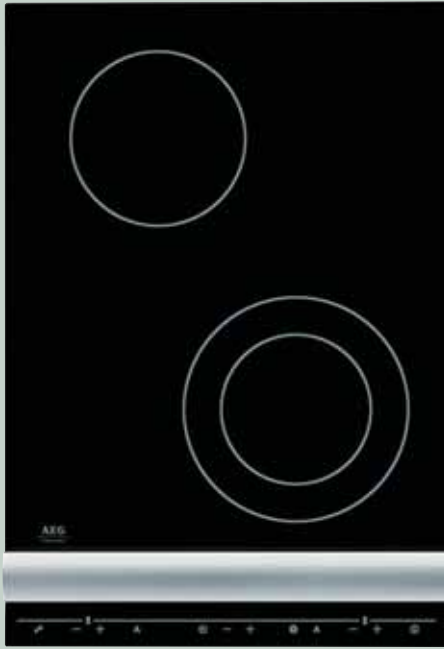
- TOUCH CONTROLS
- 2 POWERFUL BOOSTERS
- STOP & GO WITH KEEP WARM SETTING
- 16 STAGE DIGITAL POWER LEVEL DISPLAYS
- AUTOMAX
- CHILD SAFETY LOCK

60cm 4 Zone Induction Hob  
Bevelled Edge.  
Black: €1050  
EMC €2. Total: €1052.

# built-in

# hobs (front line)

# AEG



## Competence FM4513K

### HOB FEATURES

- TOUCH CONTROLS
- AUTOMAX
- 9 STAGE DIGITAL POWER DISPLAYS
- PROGRAMMABLE TIMER PER ZONE;
- UP TO 99 MINUTES, MINUTE MINDER
- CHILD SAFETY LOCK
- RESIDUAL HEAT INDICATORS
- 2 ZONES:
- 1 SINGLE HIGHLIGHT ZONE
- 1 DUAL HIGHLIGHT ZONE

36cm ceramic hob.  
 Black: €665.  
 EMC €2. Total: €667.

Front-Line future  
with Alutec®

A flexible modular  
cooking system which  
allows you to  
customise your kitchen  
to your individual  
needs for cooking  
perfection.



reddot design award  
winner 2004

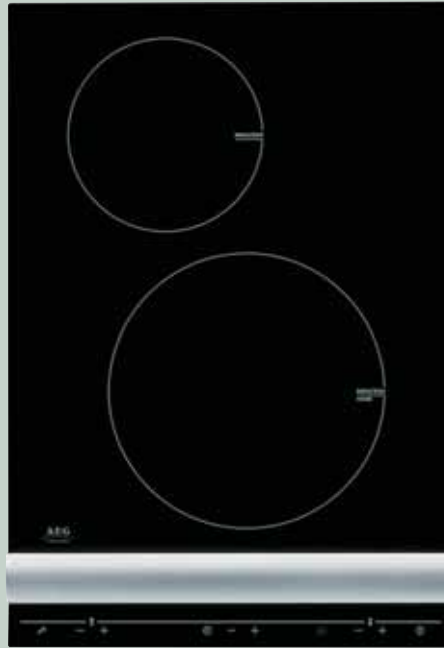


## Competence FM4863KAN

### HOB FEATURES

- TOUCH CONTROLS
- 1 POWERFUL BOOSTER
- 9 STAGE DIGITAL POWER LEVEL DISPLAYS
- PROGRAMMABLE TIMER PER ZONE;
- UP TO 99 MINUTES, MINUTE MINDER
- CHILD SAFETY LOCK
- AUTO SAFETY SWITCH OFF
- RESIDUAL HEAT INDICATOR
- 1 POT RECOGNITION INDICATORS

Front-Line Future 36cm  
Induction Wok.  
 Black: €1550. EMC €2.  
 Total: €1552.



## Competence FM4803K

### HOB FEATURES

- TOUCH CONTROLS
- 1 POWERFUL BOOSTER
- 9 STAGE DIGITAL POWER LEVEL DISPLAYS
- PROGRAMMABLE TIMER PER ZONE;
- UP TO 99 MINUTES, MINUTE MINDER
- CHILD SAFETY LOCK
- AUTO SAFETY SWITCH OFF
- RESIDUAL HEAT INDICATOR
- 2 POT RECOGNITION INDICATORS

36cm induction hob.  
 Black: €1085. EMC €2.  
 Total: €1087.



## Competence FM4500GR

### HOB FEATURES

- TOUCH CONTROLS
- AUTOMAX
- LAVA STONES AND TRAY ARE  
DISHWASHABLE FOR EASY CLEANING
- 9 STAGE DIGITAL POWER DISPLAYS
- MINUTE MINDER
- CHILD SAFETY LOCK
- AUTO SAFETY SWITCH OFF
- RESIDUAL HEAT INDICATOR

36cm barbecue grill with  
lava stones. Black: €1550.  
 EMC €2. Total: €1552.

# AEG

## hobs (front line)

# built-in

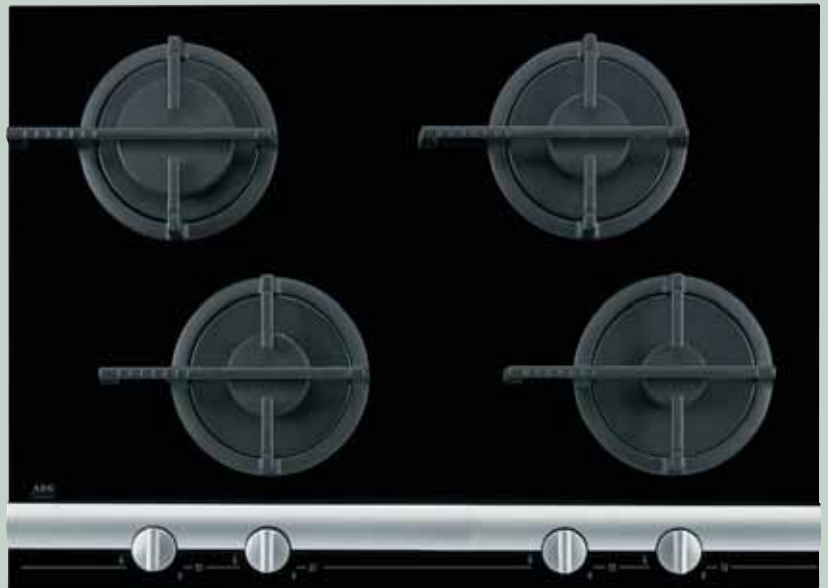


Front-Line  
future with  
Alutec®

A flexible modular  
cooking system  
which allows you to  
customise your  
kitchen to your  
individual needs for  
cooking perfection.



reddot design award  
winner 2004

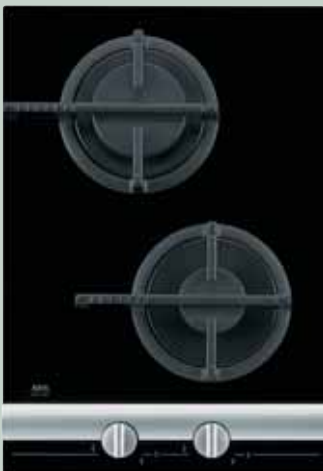


### Competence FM7300G

72cm gas on glass  
hob with wide surface  
area for more space  
between cooking  
zones €930

#### HOB FEATURES

- 4 INDIVIDUALLY STYLED CAST IRON PAN SUPPORTS
- SAFETY GAS CUT OFF USING THERMOCOUPLES
- AUTOMATIC INTEGRATED IGNITION
- EASY TO REACH FRONT CONTROLS
- 4 BURNERS:
- 1 RAPID 3KW BURNER
- 2 SEMI RAPID 2KW BURNERS
- 1 SIMMER 1KW BURNER
- LPG (BOTTLED GAS) CONVERSION KIT INCLUDED



### Competence FM4300G

#### HOB FEATURES

- 2 INDIVIDUALLY STYLED CAST IRON PAN SUPPORTS
- SAFETY GAS CUT OFF USING THERMOCOUPLES
- AUTOMATIC INTEGRATED IGNITION
- EASY TO REACH FRONT CONTROLS
- 2 BURNERS:
- 1 RAPID 3KW BURNER
- 1 SEMI RAPID 2KW BURNER
- LPG (BOTTLED GAS) CONVERSION KIT INCLUDED

36cm gas on glass hob.  
Black: €585

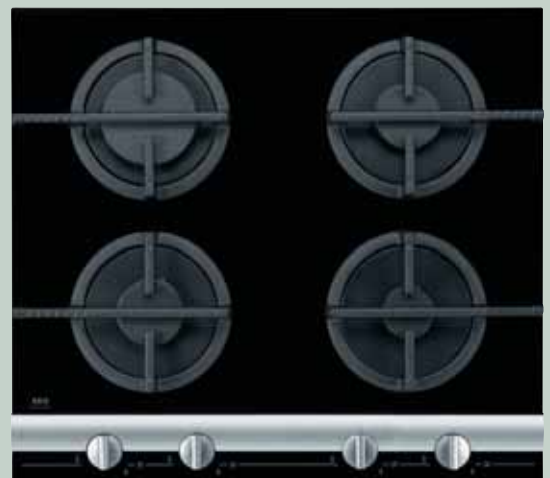


### Competence FM4360G

#### HOB FEATURES

- CAST IRON WOK SUPPORT FOR FLAT OR CURVED BASE WOK PANS
- SAFETY GAS CUT OFF USING THERMOCOUPLE
- AUTOMATIC INTEGRATED IGNITION
- EASY TO REACH FRONT CONTROL
- 1 BURNER:
- 1 TRIPLE CROWN 4KW BURNER
- LPG (BOTTLED GAS) CONVERSION KIT INCLUDED

36cm gas on glass wok burner.  
Black: €585



### Competence FM6300G

#### HOB FEATURES

- 4 INDIVIDUALLY STYLED CAST IRON PAN SUPPORTS
- SAFETY GAS CUT OFF USING THERMOCOUPLES
- AUTOMATIC INTEGRATED IGNITION
- EASY TO REACH FRONT CONTROLS
- 4 BURNERS:
- 1 RAPID 3KW BURNER
- 2 SEMI RAPID 2KW BURNERS
- 1 SIMMER 1KW BURNER
- LPG (BOTTLED GAS) CONVERSION KIT INCLUDED

60cm gas on glass hob.  
Black: €899

# built-in

# AEG

## cooker hoods

AEG's range of hoods complement any kitchen, regardless of size and style.

From unique designer hoods to stylish chimney hoods and island hoods, each is designed to co-ordinate with your AEG oven and hob.



red dot design award winner 2004



90cm Unique design gives optimum use of cooking space and perfect extraction €1355. EMC 50c. Total: €1355.50. (also available in 60cm) HD8760m €1315. EMC 50c. Total: €1315.50.

### Competence HD8795m

#### HOOD FEATURES & FUNCTIONS

VARIABLE 4 SPEED CONTROL INCLUDING 1 INTENSIVE SETTING
ELECTRONIC BALL CONTROL WITH COLOUR DISPLAY FOR SPEED, FILTER AND LIGHT SETTINGS
3 X HALOGEN LIGHTS WITH ELECTRONIC DIMMER CONTROL FOR SOFTER LIGHTING
FOR WALL MOUNTING BELOW FURNITURE, BETWEEN FURNITURE OR AS A STAND ALONE UNIT
WASHABLE METAL GREASE FILTER
WASHABLE LONGLIFE CHARCOAL FILTER (KF14)
ELECTRONIC SATURATION INDICATORS
EXTRACTION RATE 540m <sup>3</sup> /h
NOISE LEVEL 59dB <sup>(A)</sup>

### Competence HD8990



#### HOOD FEATURES & FUNCTIONS

INTENSIVE SETTING
2 HALOGEN LIGHTS
TOUCH CONTROLS WITH LED DISPLAY
DELAYED SWITCH OFF TIMER AND AUTO SAFETY SWITCH OFF
FOR WALL MOUNTING OR INSTALLATION BETWEEN FURNITURE
EXTRACTION & RECIRCULATION
2 WASHABLE ALUMINIUM DISHWASHER SAFE GREASE FILTER CASSETTES
CHARCOAL FILTER AS OPTION
EXTRACTION RATE 570m <sup>3</sup> /h
NOISE LEVEL 59dB <sup>(A)</sup>

90cm Chimney Hood with Electronic Touch Controls, Automatic Sensor and Digital Displays  
Stainless Steel: €1580 EMC 50c. Total: €1580.50.  
AluTec®: €1645. EMC 50c. Total: €1645.50.

100cm Glass Canopy Island Hood €1855. EMC 50c. Total: €1855.50.



### Competence

#### Hi8610m

##### HOOD FEATURES & FUNCTIONS

VARIABLE 4 SPEED CONTROL INCLUDING 1 INTENSIVE SETTING
ELECTRONIC CONTROL WITH LED DISPLAYS
DELAYED SWITCH OFF TIMER AND AUTO SAFETY SWITCH OFF
4 x HALOGEN LIGHTS
FOR ISLAND INSTALLATION
ELECTRONIC SATURATION INDICATORS
EXTRACTION & RECIRCULATION
WASHABLE STAINLESS STEEL GREASE FILTER CASSETTE
CHARCOAL FILTER AS OPTION - KF20
EXTRACTION RATE 500m <sup>3</sup> /h
NOISE LEVEL 59dB <sup>(A)</sup>

### Competence

#### HD6470M

##### HOOD FEATURES & FUNCTIONS

ELECTRONIC VARIABLE 3 SPEED PUSH BUTTON CONTROL
2 x HALOGEN LIGHTS FOR WALL MOUNTING OR INSTALLATION BETWEEN FURNITURE
EXTRACTION & RECIRCULATION
EXTENDABLE TO 70cm OR 80cm USING STAINLESS STEEL SIDE TRIMS
WASHABLE STAINLESS STEEL GREASE FILTER
CHARCOAL FILTER AS OPTION - KF20
EXTRACTION RATE 470m <sup>3</sup> /h
NOISE LEVEL 64dB <sup>(A)</sup>



60cm Stainless Steel Hood with Glass Canopy. Extendable to 70 or 80cm €775. EMC 50c. Total: €775.50.

# AEG

## cooker hoods

# built-in



### Competence HD8820

#### HOOD FEATURES & FUNCTIONS

TOUCH CONTROLS WITH LED DISPLAY
VARIABLE 4 SPEED CONTROL INCLUDING 1 INTENSIVE SETTING
4 HALOGEN LIGHTS
DELAYED SWITCH OFF TIMER AND AUTO SAFETY SWITCH OFF FOR WALL MOUNTING OR INSTALLATION BETWEEN FURNITURE
EXTRACTION & RECIRCULATION
EXTRACTION RATE 570m <sup>3</sup> /h
NOISE LEVEL 63dB <sup>(A)</sup>

Front-Line Future 120cm Chimney Hood with Electronic Touch Controls, Automatic Sensor and Digital Displays.

AluTec®: €1789. EMC 50c. Total: €1789.50.

90cm  
Chimney Hood  
€659.  
EMC 50c.  
Total: €659.50.



### Competence HC5690M

#### HOOD FEATURES & FUNCTIONS

ELECTRONIC VARIABLE 4 SPEED PUSH BUTTON ILLUMINATED CONTROL INCLUDING INTENSIVE SETTING
2 x HALOGEN LIGHTS
3 WASHABLE METAL GREASE FILTER CASSETTES
CHARCOAL FILTER AS OPTION - LONGLIFE
EXTRACTION RATE 650m <sup>3</sup> /h
NOISE LEVEL 62dB <sup>(A)</sup>



### Competence HC3360M

#### HOOD FEATURES & FUNCTIONS

VARIABLE 3 SPEED PUSH BUTTON CONTROL
2 x HALOGEN LIGHTS
FOR WALL MOUNTING OR INSTALLATION BETWEEN FURNITURE
EXTRACTION & RECIRCULATION
2 WASHABLE METAL GREASE FILTER CASSETTES
CHARCOAL FILTER AS OPTION - LONGLIFE
EXTRACTION RATE 370m <sup>3</sup> /h
NOISE LEVEL 60dB <sup>(A)</sup>

60cm Chimney Hood €569.

EMC 50c.  
Total: €569.50.

120cm Front-Line Future  
AluTec® Island Hood €2110.  
EMC 50c. Total: €2110.50.



### Competence HI8820A

#### HOOD FEATURES & FUNCTIONS

VARIABLE 4 SPEED CONTROL INCLUDING 1 INTENSIVE SETTING
4 HALOGEN LIGHTS
TOUCH CONTROLS WITH LED DISPLAY
DELAYED SWITCH OFF TIMER AND AUTO SAFETY SWITCH OFF FOR ISLAND INSTALLATION
EXTRACTION & RECIRCULATION
3 WASHABLE ALUMINIUM DISHWASHER SAFE GREASE FILTER CASSETTES
CHARCOAL FILTER INCLUDED KF20
EXTRACTION RATE 570m <sup>3</sup> /h
NOISE LEVEL 63dB <sup>(A)</sup>

### Competence FM2500DD

#### HOB FEATURES

REMOVES GREASE AND ODOURS DIRECTLY FROM THE COOKING AREA
FULLY RETRACTS TO WORKTOP LEVEL WHEN NOT IN USE
TOUCH CONTROLS
2 HEIGHTS OF OPERATION
3 AIR INLET OPTIONS
EXTRACTION AND RECIRCULATION
DELAYED SWITCH-OFF TIMER AND AUTO SAFETY SWITCH-OFF
WASHABLE ALUMINIUM GREASE FILTER
CHARCOAL FILTER AS OPTION - KF25
EXTRACTION RATE 480m <sup>3</sup> /h
NOISE LEVEL 65dB <sup>(A)</sup>

18cm down draught for worktop extraction. Black: €1960. EMC 50c. Total: €1960.50.



# built-in

# microwaves

# AEG

Fan cooking & Microwave: Combination microwave – Fan cooking with Microwave, for golden brown food cooked in about half the time.

Fan cooking: Hot air is circulated around the oven using a ring element and the fan, giving all the benefits of fan cooking.



### Micromat CC4060MM

#### MICROWAVE FUNCTIONS

- 900W MICROWAVE WITH 5 POWER LEVELS
- POWERFUL 1400W QUARTZ GRILL WITH 5 DUAL GRILL LEVELS
- COMBI MICROWAVE & GRILL COOKING
- FAN COOKING WITH TEMPERATURES FROM 40°C TO 250°C
- COMBI MICROWAVE & FAN COOKING

#### MICROWAVE FEATURES

- 12 HOUR OR 24 HOUR DIGITAL CLOCK WITH AUTO TIMER
- ELECTRONIC PUSH CONTROLS WITH LED DISPLAY
- AUDIBLE 'COOKING END' SIGNAL
- BRIGHT OVEN LIGHT
- 9 AUTO WEIGHT COMBI COOKING PROGRAMMES
- 7 AUTO WEIGHT DEFROSTING PROGRAMMES

Fully Built-In/Built-Under COMBI Microwave Oven. Stainless Steel: €1265. AluTec®: €1285. EMC €2. Total: Stainless Steel: €1267. AluTec®: €1287.



### Micromat MC1751E

Fully Built-In SOLO Microwave Oven. Stainless Steel: €422. EMC €2. Total: €424.

#### MICROWAVE FUNCTIONS

- 800W MICROWAVE WITH 5 POWER LEVELS

#### MICROWAVE FEATURES

- 12 HOUR OR 24 HOUR DIGITAL CLOCK WITH TIMER
- 90 MINUTE TIMER
- ELECTRONIC PUSH CONTROLS WITH LED DISPLAY
- CHILD LOCK
- QUICK START CONTROL
- AUDIBLE 'COOKING END' SIGNAL
- BRIGHT OVEN LIGHT
- 8 AUTO WEIGHT COOKING PROGRAMMES
- 4 AUTO WEIGHT DEFROSTING PROGRAMMES
- FOR 50 CM WIDE CUPBOARDS



### Micromat MC1761E

Fully Built-In SOLO Microwave Oven. Stainless Steel: €649. EMC €2. Total: €651.

#### MICROWAVE FUNCTIONS

- 800W MICROWAVE WITH 5 POWER LEVELS

#### MICROWAVE FEATURES

- 12 HOUR OR 24 HOUR DIGITAL CLOCK WITH TIMER
- 90 MINUTE TIMER
- ELECTRONIC PUSH CONTROLS WITH LED DISPLAY
- CHILD LOCK
- QUICK START CONTROL
- AUDIBLE COOKING END SIGNAL
- BRIGHT OVEN LIGHT
- GLASS TURNTABLE
- 8 AUTO WEIGHT COOKING PROGRAMMES
- 4 AUTO WEIGHT DEFROSTING PROGRAMMES
- FULLY BUILT IN NO KIT REQUIRED
- FOR 60CM WIDE CUPBOARDS



### Micromat MC2660EM

Family Size Microwave Oven. Stainless Steel: €620. Black: €585. EMC €2. Total: Stainless Steel: €622. Black: €587.

#### MICROWAVE FUNCTIONS

- 900W MICROWAVE WITH 9 POWER LEVELS

#### MICROWAVE FEATURES

- 24 HOUR DIGITAL CLOCK WITH AUTO TIMER
- QUICK START CONTROL
- AUDIBLE 'COOKING END' SIGNAL
- BRIGHT OVEN LIGHT
- ELECTRONIC PUSH CONTROLS WITH LED DISPLAY
- GLASS TURNTABLE
- 8 AUTO WEIGHT COOKING PROGRAMMES
- 4 AUTO WEIGHT DEFROSTING PROGRAMMES
- 26 LITRE CAPACITY

# AEG

## range cookers

## free-standing



**Competence C41022Gm**

100cm Double Oven Mixed Fuel Range Cooker with Gas Hob and Cast Iron Griddle. €3146. EMC €5. Total: €3151.

**MAIN OVEN FUNCTIONS**

- VENTITHERM®
- CONVENTIONAL COOKING
- ROTITHERM ROASTING
- ENERGY RATING **B**

**GAS HOB PERFORMANCE**

- 4 GAS BURNERS
- CAST IRON GRIDDLE WITH CERAMIC BASE
- CAST IRON SUPPORTS

**SIDE OVEN FUNCTIONS**

- CONVENTIONAL COOKING
- BASE HEAT FINISHING
- TOP HEAT BROWNING
- ROTISSERIE
- GRILL
- ENERGY RATING **B**



**Competence C41029Gm**

90cm Mixed Fuel Range Cooker with Gas Hob. €2465. EMC €5. Total: €2470.

**MAIN OVEN FUNCTIONS**

- VENTITHERM®
- CONVENTIONAL COOKING
- ROTITHERM ROASTING
- DUAL CIRCUIT VARIABLE GRILL
- ENERGY RATING **B**

**GAS HOB PERFORMANCE**

- 6 GAS BURNERS
- 1 WOK BURNER WITH STAND
- CAST IRON SUPPORTS



**Competence C41029Vm**

90cm All Electric Range Cooker. €3140. EMC €5. Total: €3145.

**MAIN OVEN FUNCTIONS**

- VENTITHERM®
- ROTISSERIE
- ROTITHERM ROASTING
- DUAL CIRCUIT VARIABLE GRILL
- ENERGY RATING **B**

**5 RING CERAMIC**

- 1 MULTI PURPOSE HILIGHT ZONE
- 1 TRIPLE HILIGHT ZONE
- 2 SINGLE ZONES
- 1 DUAL ZONE



**Competence C41022Vm**

100cm Electric Double Oven Range Cooker with Ceramic Hob. €3827. EMC €5. Total: €3832.

**MAIN OVEN FUNCTIONS**

- VENTITHERM®
- CONVENTIONAL COOKING
- ROTITHERM ROASTING
- 1 MULTI PURPOSE HILIGHT ZONE
- 1 TRIPLE HILIGHT ZONE
- 2 SINGLE ZONES
- 1 DUAL ZONE
- ENERGY RATING **B**

**SIDE OVEN FUNCTIONS**

- CONVENTIONAL COOKING
- BASE HEAT FINISHING
- TOP HEAT BROWNING
- ROTISSERIE
- GRILL
- ENERGY RATING **B**

built-in

coffee machines

AEG

that give you 'coffee shop' coffee, at home.



Fully Automatic Integrated Coffee Machine PE9038M

**FEATURES & FUNCTIONS**

- USES FRESH COFFEE BEANS
- HEIGHT ADJUSTABLE COFFEE DISPENSER
- COFFEE BEAN HOLDER 300gm CAPACITY
- WITH SENSOR AND LED WHEN REFILLING REQUIRED
- COFFEE BEAN GRINDER
- COOL LIGHT ILLUMINATES THE OUTLET
- WATER TANK (2.5L CAPACITY)
- BRITA® FILTER
- WATER TANK DOCKING STATION
- WATER SENSOR WITH LED WHEN REFILLING REQUIRED

**CONTROLS**

- ELECTRONIC TOUCH CONTROLS
- LED DISPLAY
- PRE-PROGRAMMED COFFEE SELECTION FOR ESPRESSO AND REGULAR COFFEE
- TOUCH CONTROLS FOR COFFEE SELECTION AND STEAM/WATER OPERATION

€1374. EMC €2. Total: €1376.



Integrated Coffee Machine PE8038M

**FEATURES & FUNCTIONS**

- COFFEE BEAN HOLDER (300g CAPACITY)
- COFFEE BEAN GRINDER
- COFFEE PRESS
- WATER TANK (2.5L CAPACITY)
- BRITA® FILTER
- WATER SENSOR WITH LED WHEN REFILLING REQUIRED
- STEAM/WATER SPOUT WITH LED INDICATORS

**CONTROLS**

- ELECTRONIC TOUCH CONTROLS
- LED DISPLAY
- PRE-PROGRAMMED COFFEE SELECTION
- 2 ROTARY CONTROL KNOBS FOR COFFEE SELECTION AND STEAM/WATER OPERATION

€1051.  
EMC €2.  
Total: €1053.

Accessory Drawer  
PKD6070  
€189.



# AEG

## dishwashing

# built-in



### FAVORIT 88070Vi

#### DISHWASHING FUNCTIONS

- SENSORLOGIC
- ADVANCED FUZZY LOGIC
- LCD DISPLAY
- DELAY START
- TIME TO PROGRAMME END
- 3 IN 1 DETERGENT OPTION
- SALT REFILL INDICATOR
- RINSE AID INDICATOR
- AQUA CONTROL
- 8 WASH TEMPERATURES
- TURBO DRYING
- 12 PLACE SETTINGS
- NOISE LEVEL 41dB<sup>(A)</sup>

ENERGY RATING AAA

60cm Fully-integrated Dishwasher with 8 wash programmes. €995. EMC €5. Total: €1000.



### FAVORIT 35085Vi

#### DISHWASHING FUNCTIONS

- ADVANCED FUZZY LOGIC
- DELAY START
- END OF PROGRAMME AUDIBLE BUZZER
- SALT REFILL INDICATOR RINSE AID INDICATOR AQUA CONTROL
- 4 WASH TEMPERATURES
- ACTIVE DRYING
- HEIGHT ADJUSTABLE UPPER BASKET - FULL LOAD WITH SIDE HANDLES
- ADJUSTABLE GLASS SUPPORTS
- FOLDABLE PLATE SUPPORTS
- 5 WASH PROGRAMMES
- ?? PLACE SETTINGS
- NOISE LEVEL 49dB<sup>(A)</sup>

ENERGY RATING AAA

60cm Fully-Integrated Dishwasher with 5 wash programmes. €635. EMC €5. Total: €640.



### FAVORIT 65080Vi

#### DISHWASHING FUNCTIONS

- 5 WASH PROGRAMMES
- IMPULSE WASHING SYSTEM
- TURBO DRYING
- 2 SPRAY ARMS
- 5 SPRAY LEVELS
- 12 PLACE SETTINGS
- NOISE LEVEL 45dB<sup>(A)</sup>

ENERGY RATING AAA

60cm Fully-integrated Dishwasher. €685. EMC €5. Total: €690.



### FAVORIT 60860M

#### DISHWASHING FUNCTIONS

- TURBO FAN DRYING
- SENSORLOGIC
- 3 - IN - 1
- BACKLIT LED DISPLAY
- DELAY START
- REMAINING TIME
- RINSE AID
- AQUA CONTROL
- NOISE LEVEL 43dB<sup>(A)</sup>

ENERGY RATING AAA

Stainless Steel Dishwasher. €895. EMC €5. Total: €900.



### FAVORIT 85480Vi

#### DISHWASHING FUNCTIONS

- SENSORLOGIC
- ADVANCED FUZZY LOGIC
- LED TIMER DISPLAY
- DELAY START
- TIME TO PROGRAMME END
- 3 IN 1 DETERGENT OPTION
- SALT REFILL INDICATOR
- RINSE AID INDICATOR
- AQUA CONTROL
- 4 WASH TEMPERATURES
- TURBO DRYING
- 9 PLACE SETTINGS
- NOISE LEVEL 47dB<sup>(A)</sup>
- ENERGY RATING AAA

45cm Fully-integrated Slimline Dishwasher. €725. EMC €5. Total: €730.



### FAVORIT 88070IM

#### DISHWASHING FUNCTIONS

- SENSORLOGIC
- ADVANCED FUZZY LOGIC
- LCD DISPLAY
- DELAY START
- TIME TO PROGRAMME END
- 3 IN 1 DETERGENT OPTION
- SALT REFILL INDICATOR
- RINSE AID INDICATOR
- AQUA CONTROL
- 5 WASH TEMPERATURES
- TURBO DRYING
- 12 PLACE SETTINGS
- NOISE LEVEL 41dB<sup>(A)</sup>

ENERGY RATING AAA

60cm Semi-integrated Dishwasher with 8 wash programmes. €1095. EMC €5. Total: €1100.



### FAVORIT 44080i

#### DISHWASHING FUNCTIONS

- SENSORLOGIC
- ADVANCED FUZZY LOGIC
- DELAY START
- 3 IN 1 DETERGENT OPTION
- SALT REFILL INDICATOR
- RINSE AID INDICATOR
- AQUA CONTROL
- 4 WASH TEMPERATURES
- CONDENSER DRYING
- 12 PLACE SETTINGS
- NOISE LEVEL 48dB<sup>(A)</sup>

ENERGY RATING AAA

60cm Semi-integrated Dishwasher. €695. EMC €5. Total: €700.

Also available in black

# built-in



## Lavamat 12510Vi

### WASH SPECIALITIES

- GENTLE WOOL CRADLE DELICATES
- EASY IRON
- 30 MINUTE MINI PROGRAMME
- EXTRA RINSE OPTIONS
- BIO WASH PHASE

### WASH FEATURES

- VARIOMATIC® SPIN CYCLE
- SENSORTRONIC FOAM SUPPRESSION
- SINGLE KNOB EASY READ PROGRAMME SELECTOR
- LED TIME DISPLAY
- START DELAY
- AQUA-LOCK FLOOD PROTECTION
- EASY ACCESS FLUFF FILTER WITH INDICATOR LIGHT
- 4.5kg WASH LOAD
- 1000 RPM SPIN SPEED

ENERGY RATING **A+AB**

Fully Integrated Washing Machine.

€945. EMC €5. Total: €950.

## Lavamat Turbo 12710ViT

### WASH SPECIALITIES

- GENTLE WOOL CRADLE DELICATES
- EASY IRON
- 30 MINUTE MINI PROGRAMME
- EXTRA RINSE OPTIONS
- BIO WASH PHASE

### WASH FEATURES

- VARIOMATIC® SPIN CYCLE
- SINGLE KNOB EASY READ PROGRAMME SELECTOR
- LED TIME DISPLAY
- START DELAY
- AQUA-LOCK FLOOD PROTECTION
- 4.5kg WASH LOAD
- 1200 RPM SPIN SPEED

### DRY SPECIALITIES

- 2 TEMPERATURE DRYING
- CONDENSER TURBO DRYING
- REVERSE TUMBLE + COOL DOWN
- 2.25kg DRYING CAPACITY

ENERGY RATING

CA



Fully Integrated

Washer Dryer. €1235.

EMC €5. Total: €1240.

# AEG

## laundry

AEG's fully integrated laundry range, with its simple design and high quality build, offers the perfect design solution for every kitchen. Choose from a dedicated washing machine or the ultimate space saving practicality of a washer dryer.



# free-standing laundry

# AEG



Washing Machine  
Lavamat L52810. €749.  
EMC €5. Total: €754.

### ADVANCED FEATURES

- TIME SAVER
- DELAY START 3 & 6HR

### TECHNOLOGICAL FEATURES

- 1200 SPIN SPEED
- RINSE HOLD FACILITY
- RINSE PLUS
- PRE-WASH
- FUZZY LOGIC

### WASH SPECIALITIES

- WOOL CRADLE PROGRAMME
- SILK PROGRAMME
- HANDWASH ONLY PROGRAMME
- EASY IRON PROGRAMME
- ENERGY SAVING PROGRAMME

ENERGY RATING

AAB



Washing Machine  
Lavamat Turbo LL1620.  
€1150. EMC €5. Total: €1155.

### ADVANCED FEATURES

- LARGE LCD DISPLAY
- DELAY START
- ADVANCED FUZZY LOGIC
- 4 MEMORY PROGRAMMES
- 7kg WASH LOAD

### TECHNOLOGICAL FEATURES

- RINSE HOLD FACILITY
- PRE-WASH

### WASH SPECIALITIES

- WOOL CRADLE PROGRAMME
- DELICATE PROGRAMME
- HANDWASH PROGRAMME
- EASY IRON PROGRAMME
- ENERGY SAVING PROGRAMME

ENERGY RATING

A+AA



Washer Dryer Lavamat  
Turbo L12830. €930.  
EMC €5. Total: €935.

### ADVANCED FEATURES

- TIME SAVER
- DELAY START

### TECHNOLOGICAL FEATURES

- LARGE PORTHOLE
- CONDENSER DRYER
- RINSE HOLD FACILITY
- PRE-WASH
- FUZZY LOGIC

### WASH SPECIALITIES

- WOOL CRADLE PROGRAMME
- SILK PROGRAMME
- DELICATE PROGRAMME
- HANDWASH ONLY PROGRAMME
- ENERGY SAVING PROGRAMME
- 6kg WASH LOAD 3kg DRY LOAD

ENERGY RATING

CA



Condenser Tumble Dryer  
Lavatherm T56830. €749.  
EMC €5. Total: €754.

### ADVANCED FEATURES

- SENSOR DRYER

### TECHNOLOGICAL FEATURES

- LARGE PORTHOLE
- REVERSE TUMBLE ACTION
- CLEAN FILTER INDICATORS
- WATER TANK FULL INDICATOR
- CONDENSER DRYER

### DRYER PROGRAMMES

- EASY IRON
- WOOL CARE
- REFRESH PROGRAMME
- INTENSIVE DRY
- STORAGE DRY
- MACHINE IRON (DAMP)
- 7kg DRY LOAD

ENERGY RATING

C



'A'  
Energy  
Rated

Lavatherm A Rated  
Condenser Tumble  
Dryer T59800. €1119.  
EMC €5. Total: €1124.

### ADVANCED FEATURES

- SENSOR DRYER

### TECHNOLOGICAL FEATURES

- 3 DIGIT DISPLAY
- LARGE PORTHOLE
- REVERSE TUMBLE ACTION
- CLEAN FILTER INDICATORS
- WATER TANK FULL INDICATOR
- CONDENSER DRYER
- INTENSITY SETTING
- COOL DOWN
- 6kg DRY LOAD

### DRYER PROGRAMMES

- 10 DRYING PROGRAMMES

ENERGY RATING

A

# AEG

## refrigeration

## free-standing

With stylish 3-D arched doors, stainless steel finish and modern, hi-tech LCD and LED displays, AEG's stunning cooling range will enhance the appearance of any kitchen.

### Santo 75578KG

#### FRIDGE FEATURES & FUNCTIONS

- NET CAPACITY 335 LITRES
- LED DISPLAY
- HOLIDAY FUNCTION
- VISUAL/AUDIO SIGNALS AUDIO DOOR SIGNAL, VISUAL & AUDIO HIGH TEMPERATURE INDICATOR
- COOLMATIC
- DYNAMIC MINI EVAPORATOR (DME)
- QUICK CHILL
- FROSTMATIC
- FAST-FREEZE PUSH BUTTON

#### FREEZER FEATURES & FUNCTIONS

- NET CAPACITY 215 LITRES
- SELF CLOSING DOOR
- ANTI BACTERIAL COATING
- FAN AIR CIRCULATION
- CHARCOAL FILTER
- INTERIOR LIGHT
- FROST FREE
- ENERGY RATING **A+**

**FROST FREE**



Side by side European fridge freezer - **FROST FREE**. €2475. EMC €30. Total: €2505. H1790 W1200 D645



### Santo 72348KA

#### FRIDGE FEATURES & FUNCTIONS

- NET CAPACITY 335 LITRES
- LED DISPLAY
- HOLIDAY FUNCTION
- VISUAL/AUDIO SIGNALS
- AUDIO DOOR SIGNAL, VISUAL & AUDIO HIGH TEMPERATURE INDICATOR
- DYNAMIC MINI EVAPORATOR (DME)
- QUICK CHILL
- ANTI BACTERIAL COATING
- COLOUR - STAINLESS STEEL
- ENERGY RATING **A+**

Upright fridge cabinet. €995. EMC €30. Total: €1025. H1795 W600 D620



**FROST FREE**

### Arctis A75238GA

#### ADVANCED FEATURES

- NET CAPACITY 215 LITRES
- LED DISPLAY
- VISUAL/AUDIO SIGNALS
- AUDIO DOOR SIGNAL, VISUAL & AUDIO
- HIGH TEMPERATURE INDICATOR
- FROSTMATIC
- FROST FREE
- FAST-FREEZE PUSH BUTTON
- COLOUR - STAINLESS STEEL
- ENERGY RATING **A+**

Upright Freezer - **FROST FREE**. €1045. EMC €20. Total: €1065. H1795 W600 D620

# free-standing

# refrigeration

# AEG



## American-Style Side-by-Side **FROST FREE** Fridge Freezer Santo 756281KG

### FRIDGE FEATURES & FUNCTIONS

FRIDGE NET CAPACITY 357 LITRES

FREEZER NET CAPACITY 165 LITRES

LED DISPLAY

VISUAL/AUDIO SIGNALS AUDIO DOOR

SIGNAL, VISUAL & AUDIO HIGH

TEMPERATURE INDICATOR

COOLMATIC

QUICK CHILL

### PRECISION STORAGE

FULL DEPTH GLASS SHELVES,

SALAD CRISPER

4 FULL WIDTH GLASS SHELVES WITH

FRAME

MEAT BOX

SLIDING DRAWERS

ENERGY RATING **A+**

Upright fridge cabinet. €3300.

EMC €30. Total: €3330.

H1760 W905 D682



**FROST FREE**

## Santo 75358KG

### ADVANCED FEATURES

FRIDGE NET CAPACITY 200 LITRES

FREEZER NET CAPACITY 95 LITRES

HOLIDAY FUNCTION

VISUAL/AUDIO SIGNALS, VISUAL &

AUDIO DOOR SIGNAL, VISUAL &

AUDIO HIGH TEMPERATURE

INDICATOR, POWER FAILURE &

SERVICE INDICATORS

FAST-FREEZE PUSH BUTTON

### COOLING FEATURES & FUNCTIONS

ANTI BACTERIAL COATING

INTERIOR HALOGEN LIGHT

FROST FREE

Colour - Stainless Steel

ENERGY RATING **A**

Fridge freezer  
- **FROST FREE.**

€1260. EMC €20.

Total: €1280.

H1840 W600 D650



Upright  
fridge  
cabinet.  
€1260.  
EMC €20.  
Total: €1280.  
H1650 W695  
D610

## Santo 4288DTR7

### FRIDGE FEATURES & FUNCTIONS

FRIDGE NET CAPACITY 297 LITRES

FREEZER NET CAPACITY 74 LITRES

LED DISPLAY

VISUAL/AUDIO SIGNALS AUDIO DOOR SIGNAL,

VISUAL & AUDIO HIGH TEMPERATURE INDICATOR

COOLMATIC

QUICK CHILL

### PRECISION STORAGE

FULL DEPTH GLASS SHELVES,

SALAD CRISPER

4 FULL WIDTH GLASS SHELVES WITH FRAME

MEAT BOX

SLIDING DRAWERS

ENERGY RATING **A+**

# AEG

## refrigeration

## built-in



### Santo AG918504i

#### FREEZER FEATURES & FUNCTIONS

- NET CAPACITY 208 LITRES
- FREEZING CAPACITY 20KG/24HRS
- FROST FREE - NEVER HAVE TO DEFROST
- 4\* FREEZER
- HIGH TEMPERATURE ALARM

- ELECTRONIC TEMPERATURE CONTROLS WITH DIGITAL LED DISPLAY
- POWER CUT SAFE FOR 21 HOURS
- 5 TRANSPARENT FREEZER DRAWERS
- 2 FREEZER COMPARTMENTS WITH TRANSPARENT FLAPS
- ENERGY RATING **A+**

'A+' Energy Rated **FROST FREE** In-Column FREEZER. €995. EMC €20. Total: €1015.

### Santo K918004i

#### FRIDGE FEATURES & FUNCTIONS

- NET CAPACITY 330 LITRES
- BACTERIAL PROTECTION
- ELECTRONIC TEMPERATURE CONTROLS WITH DIGITAL LED DISPLAY
- AUTO DEFROST
- LARGE TELESCOPIC SALAD & VEGETABLE DRAWER
- 4 FULL & 2 HALF DEPTH SHELVES
- PRINTED GLASS SHELVES
- COVERED DAIRY COMPARTMENT
- 3 CAN SHELVES WITH ALU-SILVER TRIM
- BOTTLE SHELF WITH BOTTLE HOLDER AND SLIDER SUPPORT
- HALF WIDTH SLIDING DOOR SHELF WITH LID
- ENERGY RATING **A+**

'A+' Energy Rated In-Column Larder Refrigerator. €845. EMC €30. Total: €875.



**FROST FREE**



'A' Energy Rated Under-counter Larder Refrigerator. €615. EMC €10. Total: €625.

### SANTO U860004i

#### FRIDGE FEATURES & FUNCTIONS

- NET CAPACITY 140 LITRES
- BACTERIAL PROTECTION
- AUTO DEFROST
- ADJUSTABLE THERMOSTAT
- COIN/KNOB
- ENERGY RATING **A**
- MATCHING FREEZER ARCTIS U860504i



'A' Energy Rated Under-counter Refrigerator with 4 Star Freezer. €655. EMC €10. Total: €665.

### SANTO U960404i

#### FRIDGE FEATURES & FUNCTIONS

- NET CAPACITY 103 LITRES
- BACTERIAL PROTECTION
- AUTO DEFROST
- ADJUSTABLE THERMOSTAT
- COIN/KNOB

#### FREEZER FEATURES & FUNCTIONS

- NET CAPACITY 17 LITRES
- FREEZING CAPACITY 2.5KG/24HRS
- 4\* FREEZER
- POWER CUT SAFE FOR 13 HOURS
- ENERGY RATING **A+**



'A' Energy Rated Under-counter Freezer. €655. EMC €10. Total: €665.

### ARCTIS U860504i

#### FREEZER FEATURES & FUNCTIONS

- NET CAPACITY 100 LITRES
- FREEZING CAPACITY 18KG/24HRS
- 4\* FREEZER
- FAST-FREEZE PUSH BUTTON
- HIGH TEMPERATURE WARNING ALARM
- DOOR OPEN WARNING LED & ALARM
- MECHANICAL FREEZER LED DISPLAYS
- ADJUSTABLE THERMOSTAT
- COIN/KNOB
- POWER CUT SAFE FOR 29 HOURS
- ENERGY RATING **A**
- MATCHING FRIDGE SANTO U860004i

# built-in

# refrigeration

# AEG



## Santo N918414i

### FRIDGE FEATURES & FUNCTIONS

- FRIDGE CAPACITY 162 LITRES
- AIR CIRCULATION FAN
- AIR PURIFIER
- HUMIDITY CONTROLS
- ELECTRONIC TEMPERATURE CONTROLS
- DIGITAL LED DISPLAY
- TOTAL FROST FREE

### FREEZER FEATURES & FUNCTIONS

- NET CAPACITY 86 LITRES
- ELECTRONIC TEMPERATURE CONTROLS
- DIGITAL LED DISPLAY
- TOTAL FROST FREE
- HIGH TEMPERATURE WARNING ALARM
- ENERGY RATING **A+**

50:50 **FROST FREE** Combi Fridge Freezer. €1015. EMC €20. Total: €1035.



## Santo N718414i

### FRIDGE FEATURES & FUNCTIONS

- FRIDGE CAPACITY 210 LITRES
- ELECTRONIC TEMPERATURE CONTROLS
- AUTO DEFROST

### FREEZER FEATURES & FUNCTIONS

- NET CAPACITY 55 LITRES
- FROST FREE
- FAST FREEZER PUSH BUTTON WITH TIMED AUTO RESET
- ENERGY RATING **A+**

70:30 **FROST FREE** Combi Fridge Freezer. €957. EMC €20. Total: €977.



## Arctis N912504i

### FREEZER FEATURES & FUNCTIONS

- NET CAPACITY 123 LITRES
- FREEZING CAPACITY 20KG / 24HRS
- 4\* FREEZER
- FROST FREE
- ELECTRONIC TEMPERATURE CONTROLS
- DIGITAL LED DISPLAY
- DOOR OPENING WARNING ALARM
- ENERGY RATING **A+**

122CM **FROST FREE** In-column Freezer. €879. EMC €20. Total: €899.



## Santo K912004i

### FRIDGE FEATURES & FUNCTIONS

- NET CAPACITY 224 LITRES
- COOLMATIC
- BACTERIAL PROTECTION
- HUMIDITY CONTROLS
- ELECTRONIC TEMPERATURE CONTROLS WITH DIGITAL LED DISPLAY
- AUTO DEFROST
- ENERGY RATING **A+**

'A+' Energy Rated In-column Larder Refrigerator. €619. PRF €20. Total: €639.



# AEG

## refrigeration

# built-in



The AEG cooling range has a stylish new design that supports the modern, sleek yet simple kitchen dream.

The pale blue interiors with Alu-silver and square push buttons complement AEG's modern new design.



### Santo C718404i

#### FRIDGE FEATURES & FUNCTIONS

NET CAPACITY 210 LITRES
BACTERIAL PROTECTION
ADJUSTABLE THERMOSTAT COIN/KNOB
AUTO DEFROST

#### FREEZER FEATURES & FUNCTIONS

NET CAPACITY 70 LITRES
FREEZING CAPACITY 4KG/24HRS
4* FREEZER
POWER CUT SAFE FOR 24 HOURS
ENERGY RATING <b>A</b>

'A' Energy Rated In-column Refrigerator with 4 Star Freezer Compartment. €715. EMC €20. Total: €735.



### Santo C718414i

#### FRIDGE FEATURES & FUNCTIONS

NET CAPACITY 170 LITRES
BACTERIAL PROTECTION
AUTO DEFROST
ADJUSTABLE THERMOSTAT COIN/KNOB

#### FREEZER FEATURES & FUNCTIONS

NET CAPACITY 92 LITRES
FREEZING CAPACITY 10KG/24HRS
4* FREEZER
POWER CUT SAFE FOR 24 HOURS
ENERGY RATING <b>A</b>

'A' Energy Rated 50:50 Combi Fridge Freezer. €715. EMC €20. Total: €735.



### Santo K71804i

#### FRIDGE FEATURES & FUNCTIONS

NET CAPACITY 267 LITRES
BACTERIAL PROTECTION
AUTO DEFROST
ADJUSTABLE THERMOSTAT COIN/KNOB

#### FREEZER FEATURES & FUNCTIONS

NET CAPACITY 35 LITRES
FREEZING CAPACITY 3KG/24HRS
4* FREEZER
POWER CUT SAFE FOR 20 HOURS
ENERGY RATING <b>A</b>

'A' Energy Rated Combi Fridge Freezer. €1045. EMC €20. Total: €1065.



'A+' Energy Rated In-column Refrigerator with 4 Star Freezer Compartment. €650. EMC €20. Total: €670.

### Santo K912404i

#### FRIDGE FEATURES & FUNCTIONS

NET CAPACITY 189 LITRES
COOLMATIC
BACTERIAL PROTECTION
HUMIDITY CONTROLS
ELECTRONIC TEMPERATURE CONTROLS WITH DIGITAL LED DISPLAY
AUTO DEFROST

#### FREEZER FEATURES & FUNCTIONS

NET CAPACITY 17 LITRES
FREEZING CAPACITY 2KG/24HRS
FROSTMATIC
4* FREEZER
POWER CUT SAFE FOR 12 HOURS
ENERGY RATING <b>A+</b>

# built-in

# refreshment centre

# AEG



New Refreshment Centre  
For Constant filtered water & Ice PWE9038

**FEATURES & FUNCTIONS**

- \_\_\_\_\_ Ambient temperature Water
- \_\_\_\_\_ Chilled Still Water
- \_\_\_\_\_ Chilled Sparkling Water
- \_\_\_\_\_ Clear Ice Cubes
- \_\_\_\_\_ Plumbed in to water supply
- \_\_\_\_\_ Dispenses filtered water & ice
- \_\_\_\_\_ ELED Display
- \_\_\_\_\_ Electronic touch Controls
- \_\_\_\_\_ Touch Control for ice makes up to 3.5KG per day

€1807. EMC €2.  
Total: €1809.



# warming draws

# AEG

## Safely keeps pre-cooked food warm!



**Warming Drawer**  
**14cm**  
KD81403EM

€450. EMC €2. €452.



**Warming Drawer** €479. EMC €2. €481.  
**21cm** KD82103EM 29 - 82903em - 510 + 2= 512



**Warming Drawer**  
**29cm** KD82903EM  
€510. EMC €2. €512.

Warm air circulation, a fan evenly distributes the heat from the heating element throughout the drawer.

Keep Food Warm Safely at 80° (maximum setting).  
Plate warming at 60° food will stay warmer longer when served on pre-warmed plates.  
Warming cups and glasses at 40° hot liquids will not cool down as quickly when served in pre-warmed cups ideal for use when making Fresh Coffee.  
Plate and utensil warmer keeps pre-cooked food warm safely.



# AEG

## refrigeration

# in-column



### Santo 988204i

#### FRIDGE FEATURES & FUNCTIONS

- NET CAPACITY 149 LITRES
- CAPACITY 36 BOTTLES (75CL)
- 1 OR 2 TEMPERATURE ZONES WITH FLEXIBILITY FOR NO. OF BOTTLES STORED IN EACH SECTOR
- 6-12°C FOR WHITE/ROSE
- 12-18°C FOR RED
- AIR CIRCULATION FAN
- ELECTRONIC TEMPERATURE CONTROLS WITH DIGITAL LED DISPLAY
- "COLD" LED LIGHTING

#### FRIDGE PRECISION STORAGE

- 6 STAINLESS STEEL SHELVES WITH ALUMINIUM FRONT TRIM
- FLEXIBLE DIVIDER SHELF
- WINE CALENDAR

#### DOUBLE GLAZED DOOR

- DOOR OPEN ALARM
- LEFT OR RIGHT HAND OPENING AVAILABLE

NEW In-Column Wine Cooler  
Wine Cooler. €2078. EMC €10.  
Total: €2088.

# AEG

## compact range



A Compact Version of AEG-Electrolux's Unique Multifunction Single Oven with Fully Integrated Steam Functions.  
Stainless Steel: €1355.  
EMC €5. Total: €1360.

### Competence KB9820E

#### OVEN FUNCTIONS

- VIGOROUS STEAM
- INTERVAL STEAM
- VENTITHERM®
- ROTITHERM ROASTING
- LOW TEMPERATURE FAN COOKING
- FAN CONTROLLED DEFROSTING
- VARIABLE GRILL
- SPEEDCOOK

#### SAFETY FEATURES

- ISOFRONT® PLUS QUADRUPLE GLAZED DOOR
- CHILD SAFETY LOCK
- CHROME SHELF SUPPORTS FOR 1 AUTO-STOP ANTI-TIP CHROME SHELF

#### CLEANING FEATURES

- DIAMOND GLAZED ENAMEL INTERIOR
- CATALYTIC ROOF LINERS
- ENERGY RATING **B**



Compact Oven with Grill.  
Stainless Steel: €955.  
EMC €5. Total: €960.

### Competence KB9800E

#### OVEN FUNCTIONS

- VENTITHERM®
- ROTITHERM ROASTING
- LOW TEMPERATURE FAN COOKING
- FAN CONTROLLED DEFROSTING
- VARIABLE GRILL
- SPEEDCOOK

#### SAFETY FEATURES

- ISOFRONT® PLUS QUADRUPLE GLAZED DOOR
- CHILD SAFETY LOCK
- CHROME SHELF SUPPORTS FOR 1 AUTO-STOP ANTI-TIP CHROME SHELF

#### CLEANING FEATURES

- DIAMOND GLAZED ENAMEL INTERIOR
- CATALYTIC ROOF LINERS
- ENERGY RATING **B**



Compact Multifunction Oven with Microwave.  
Stainless Steel: €1295.  
EMC €5. Total: €1300.

### Competence KB9810E

#### OVEN FUNCTIONS

- MICROWAVE
- MICROWAVE DEFROSTING
- VENTITHERM®
- FAN CONTROLLED DEFROSTING
- ROTITHERM ROASTING
- VARIABLE GRILL
- VENTITHERM® COOKING & MICROWAVE
- ROTITHERM ROASTING WITH MICROWAVE
- MICROWAVE AND GRILL
- SPEEDCOOK

#### SAFETY FEATURES

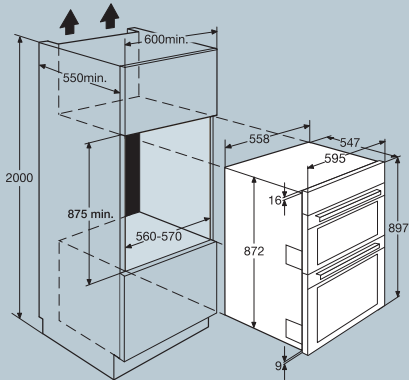
- ISOFRONT® PLUS QUADRUPLE GLAZED DOOR
- CHILD SAFETY LOCK
- CHROME SHELF SUPPORTS FOR 1 AUTO-STOP ANTI-TIP CHROME SHELF

#### CLEANING FEATURES

- DIAMOND GLAZED ENAMEL INTERIOR
- ENERGY RATING **B**

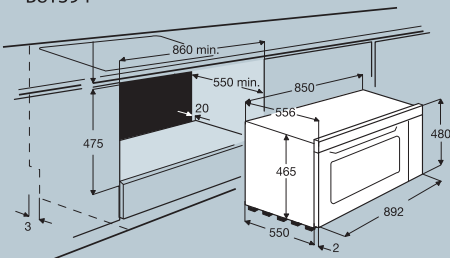
# Ovens, Microwaves & Coffee Machine

**Built-In Double Ovens**  
D88004, D57014, D41014, D21004

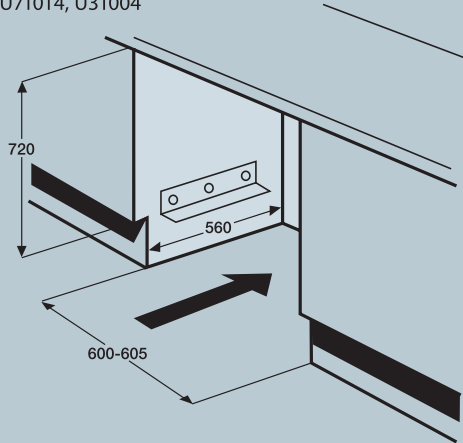


Min. distance between cabinet doors: 907mm

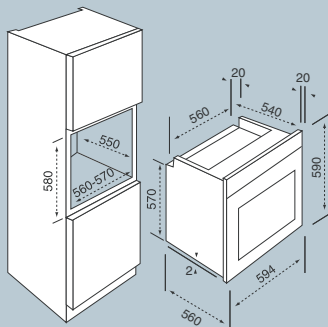
**90cm wide Single Oven**  
B81394



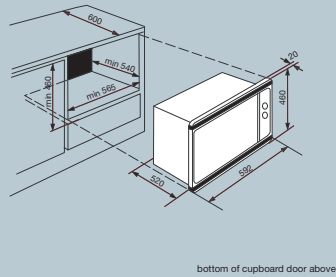
**Double Under-Counter Ovens**  
U71014, U31004



**Built-In Microwave Ovens**  
B890924

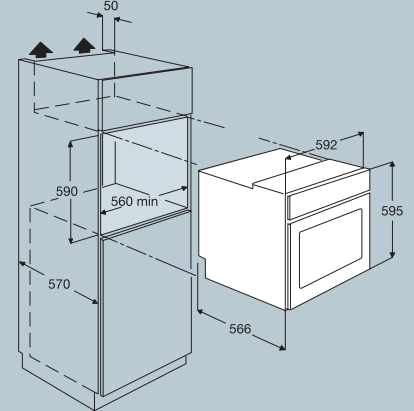


**Built-In Microwave Oven**  
MCC4060E (under counter)

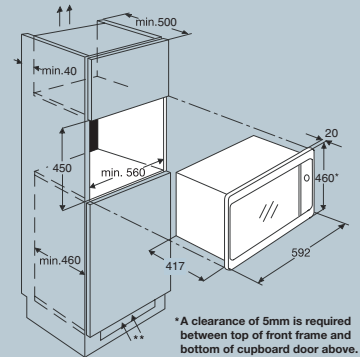


bottom of cupboard door above.

**60cm wide Single Ovens**  
B89204M, B88714, B57414  
B21004, B11804



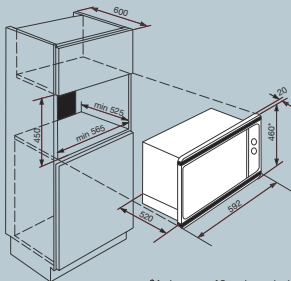
**Built-In Microwave Ovens**  
MC2660E, MCD2660E (in column)



\*A clearance of 5mm is required between top of front frame and bottom of cupboard door above.

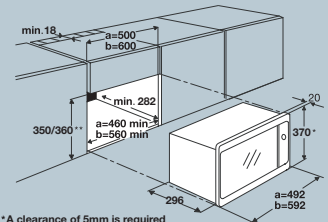
\*\*200cm<sup>2</sup> ventilation gap required if fitting over a refrigerator.

**Built-In Microwave Oven**  
MCC4060E (in column)



\*A clearance of 5mm is required between top of front frame and bottom of cupboard door above.

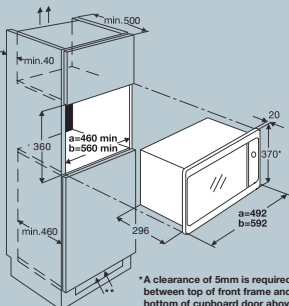
**MC1751E, MCD1751E, MC1761E, MCD1761E**  
(Wall cupboard)



\*A clearance of 5mm is required between top of front frame and bottom of cupboard door above.

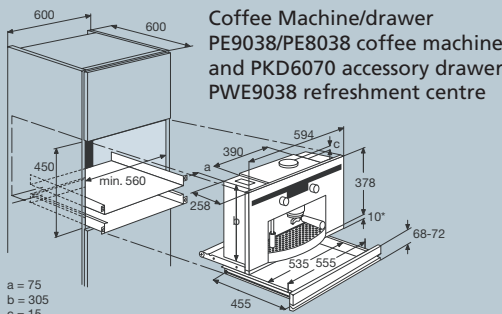
\*\*The 5mm overlap is achieved when using the 360mm "feet". To use the 360mm high niche, the feet must be changed as per the instruction book.

**MC1751E, MCD1751E, MC1761E, MCD1761E**  
(in column)



\*A clearance of 5mm is required between top of front frame and bottom of cupboard door above.

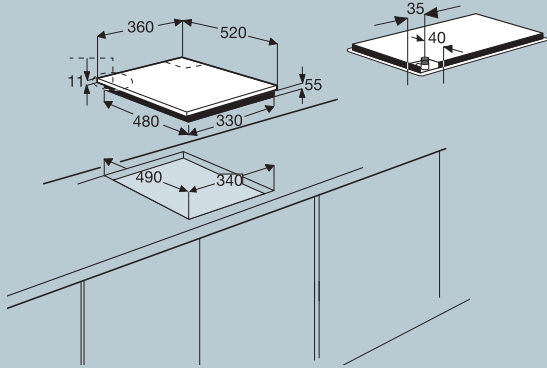
\*\*200cm<sup>2</sup> ventilation gap required if fitting over a refrigerator.



a = 75  
b = 305  
c = 15

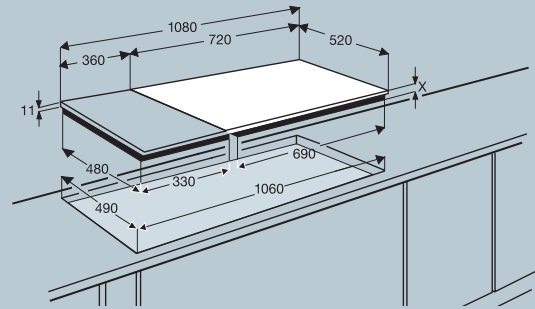
# Front-Line Future Hobs

FM4300G / FM4360G

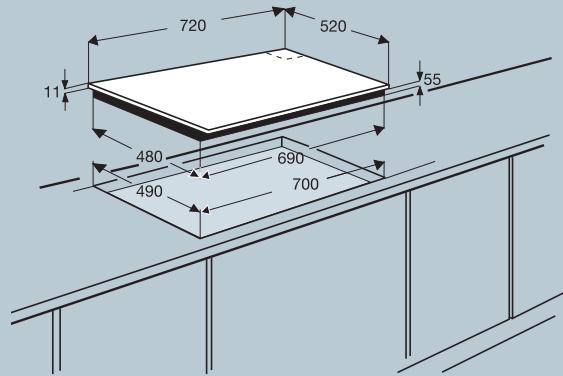


FM4300G alternative

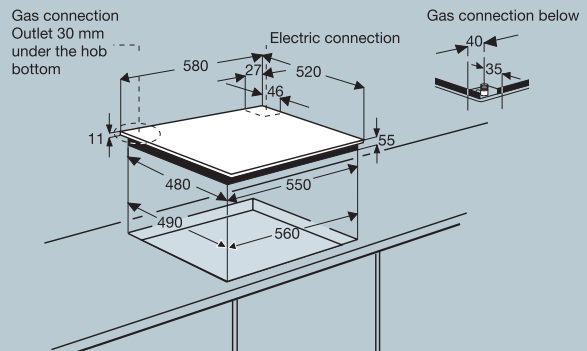
X = 55 mm for wok/2 br gas  
X = 38 mm for ceramic/induction



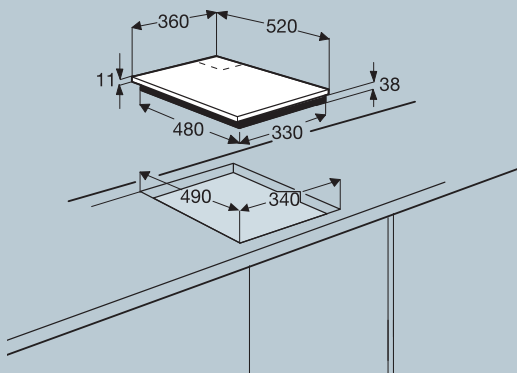
FM7300G



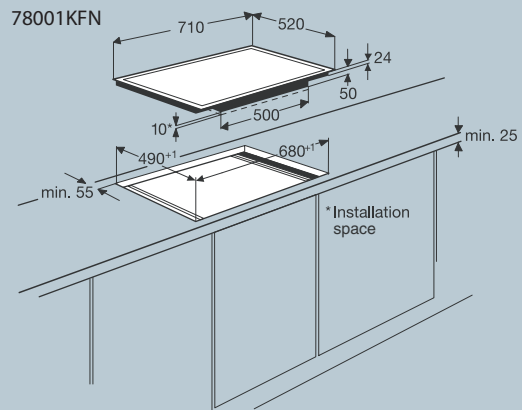
FM6300G



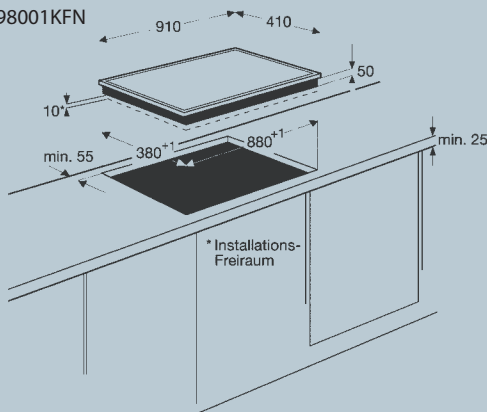
FM4513K



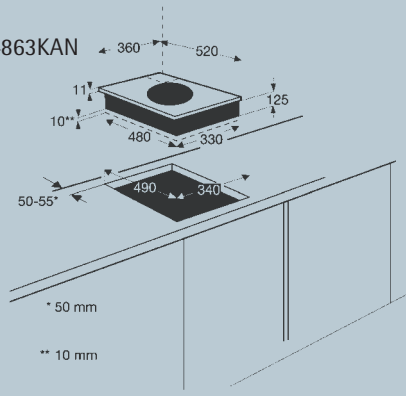
78001KFN



98001KFN



FM4863KAN

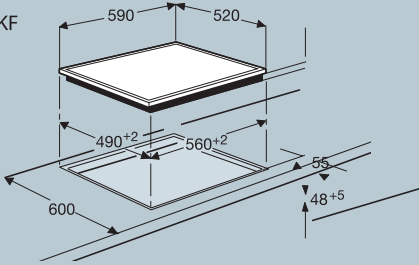




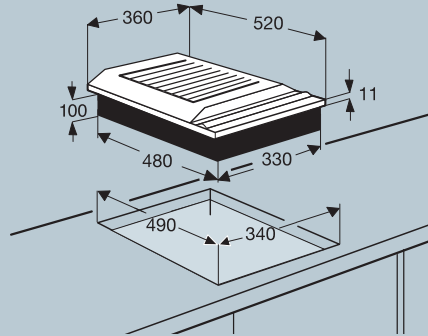
### Hobs

#### Induction Hobs

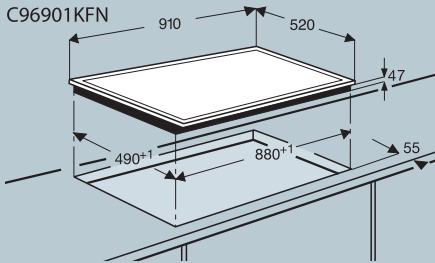
68001KF



FM4500GR

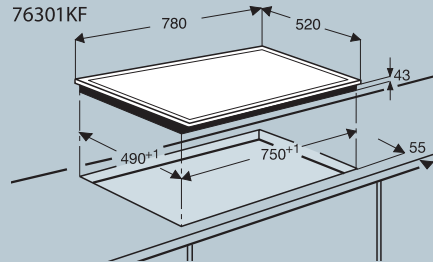


C96901KFN

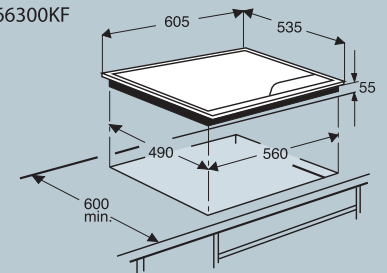


#### Touch Control Hobs

76301KF

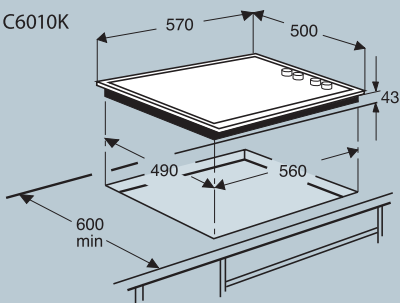


66300KF



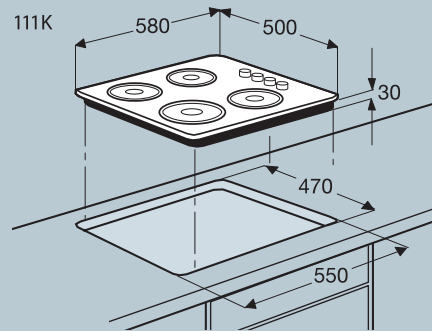
#### Ceramic Hobs

C6010K



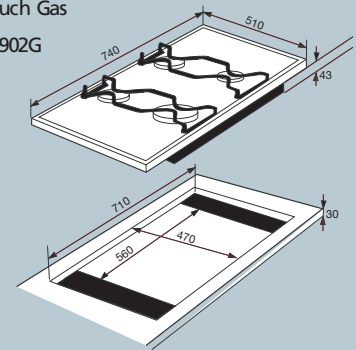
#### Sealed Plate Hob

111K



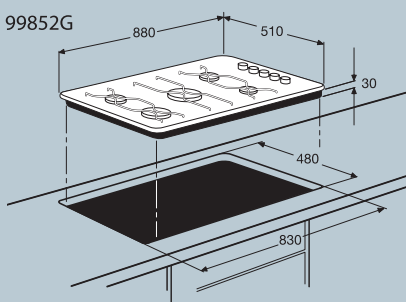
#### Touch Gas

79902G

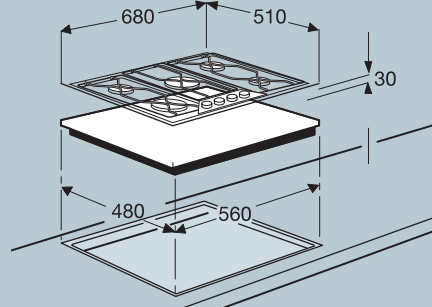


#### Gas on Glass Hobs

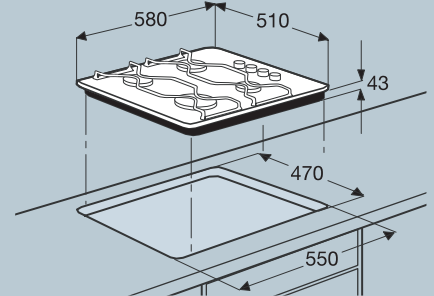
99852G



79852G

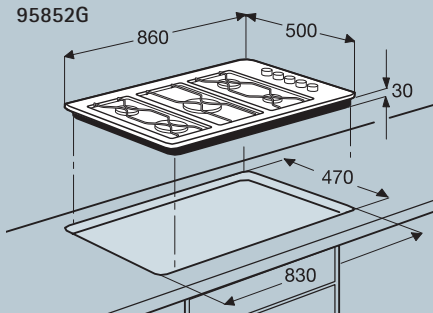


69802G

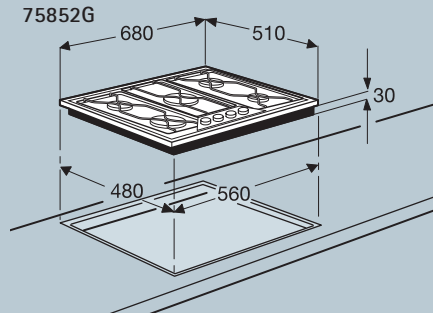


#### Gas Hobs

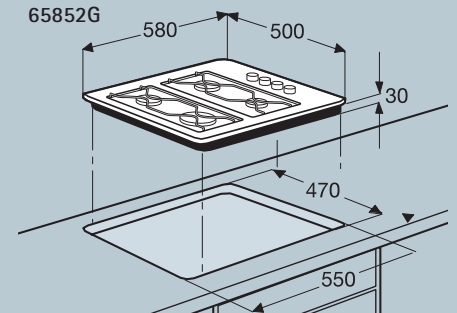
95852G



75852G



65852G

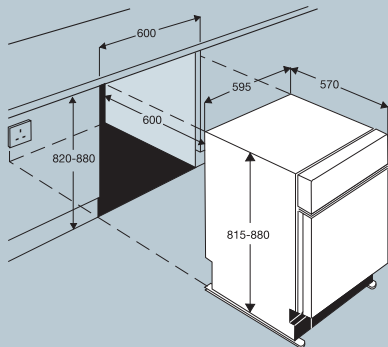




# Dishwashers & Laundry

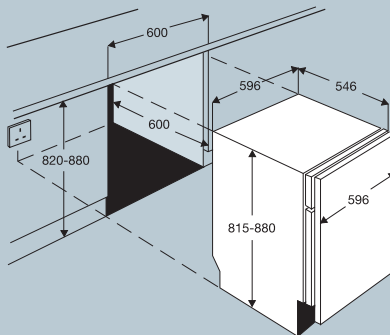
60cm wide, semi-integrated dishwashers

FAVORIT 65070i, FAVORIT 88070i  
FAVORIT 44080iM, FAVORIT 44080iB,



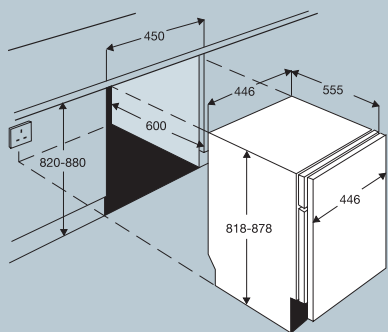
60cm wide, fully-integrated dishwashers

FAVORIT 86070Vi, FAVORIT 35085Vi,  
FAVORIT 88070Vi



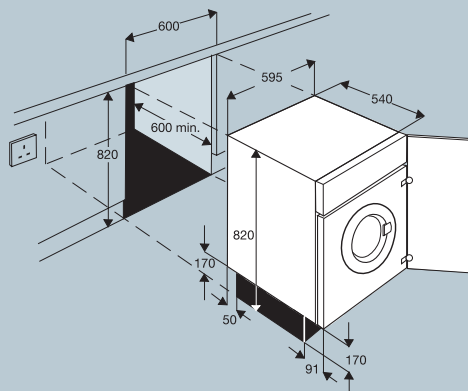
45cm wide, fully-integrated dishwasher

FAVORIT 85480Vi



Laundry

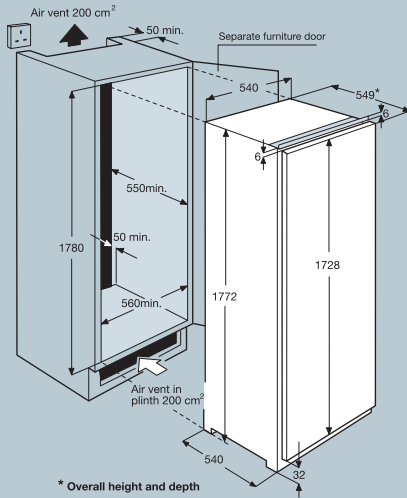
LAVAMAT 12510Vi, LAVAMAT 14500Vi  
LAVAMAT 12700ViT, LAVAMAT 14700ViT



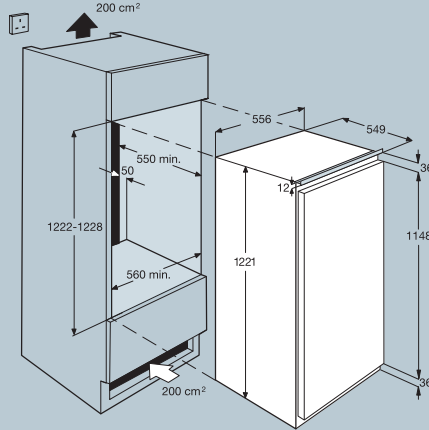
# Refrigeration

## Integrated Fridges

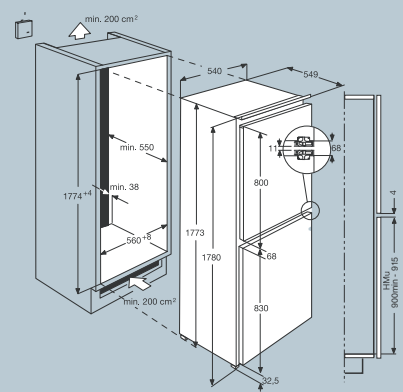
SANTO K 718404i, SK918004i, AG918504



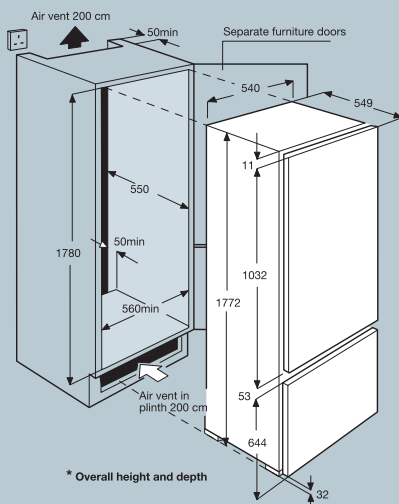
SANTO K 912004i, SANTO K 912404i, Z912004i



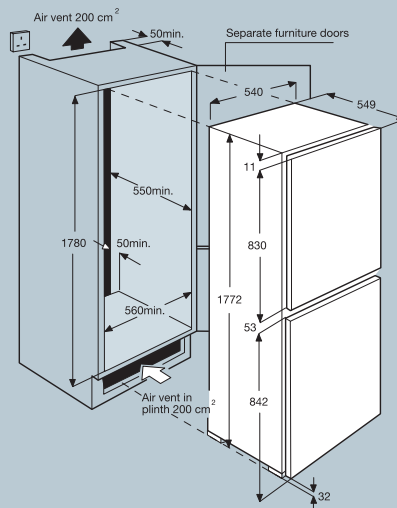
SANTO N918414i



SANTO C 718404i

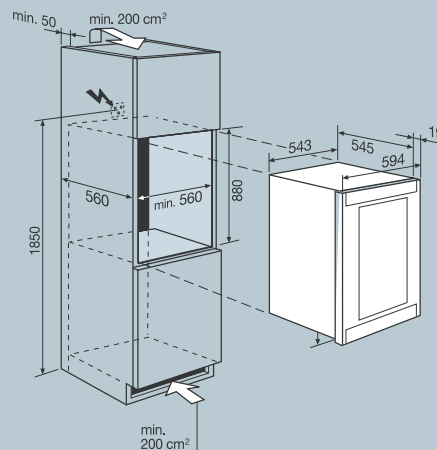


SANTO C 718414i



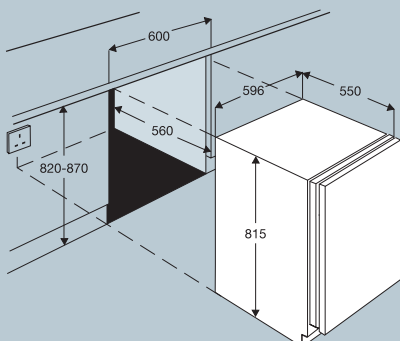
## Integrated Wine Cooler

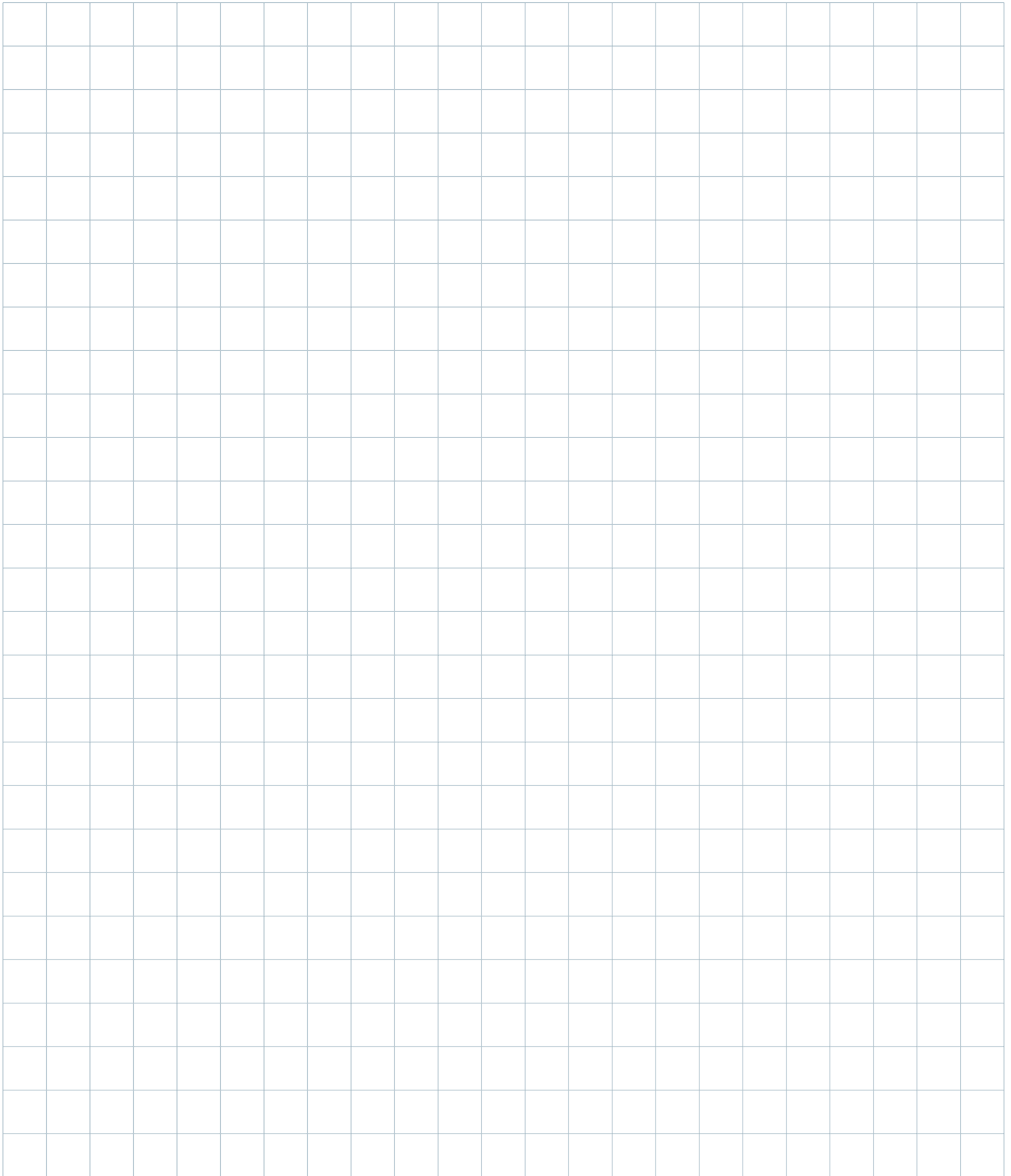
SANTO W 988204i



## Built-Under Fridges and Freezers

SANTO U 860004i, SANTO U 960404i, ARCTIS U 860504i







# ADVANCED

## ENGINEERING FROM GERMANY

AEG stands for Advanced Engineering from Germany. Precision German engineering means unrivalled features, function and performance. All our appliances offer outstanding performance, versatility and reliability along with superb aesthetics to enhance your kitchen design. AEG-Electrolux products are developed and manufactured with meticulous attention to detail, using the best of modern design and the very latest technology.

# KKS

Cucina Limited  
Trading as Kontinental  
Kitchen Supplies  
Unit 85 Cherry Orchard  
Ind. Est. Dublin 10  
Tel: 01 626 2314  
Fax: 01 626 2416  
E-Mail: [sales@kks.ie](mailto:sales@kks.ie)  
[www.kks.ie](http://www.kks.ie)

 **The Electrolux Group.** *The world's No.1 choice.*  
KITCHEN, CLEANING AND OUTDOOR APPLIANCES

This brochure is correct at the time of going to print. The colours and textures of our products are reproduced as accurately as possible within the limits of the printing process. Your statutory rights are not affected. E&OE.